



1010 DIFFUSED



The 1010 Diffused has a very wide horizontal and vertical light distribution and is used for illumination over short distances. It avoids glare and reflections and is used for many applications such as in mining and engine compartments as well as for trailers and forklift trucks amongst others.

TECHNICAL DATA

Housing Material:	Cast Aluminium
Mounting Options:	Hanging Standing
Lens Material:	Polycarbonate
Temperature range:	-40 to +75 °C
Connector:	Deutsch (DT04-2P) built in. Mating part: DT06-2S
Weight:	616 g / 1,36 lb
Light Patterns:	Diffuse White

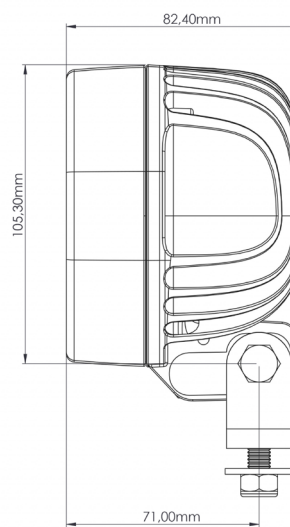
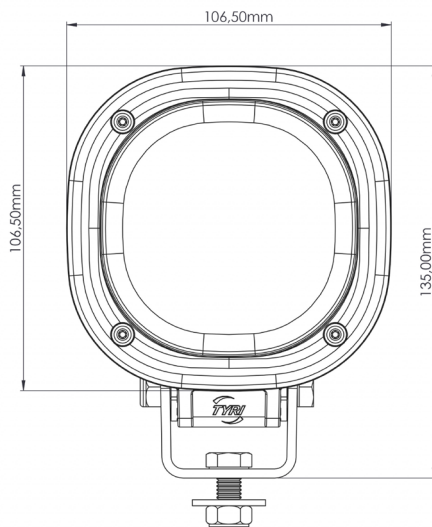
FEATURES

- Overheating Protection
- Over-voltage Protection
- Polarity Protection
- CE - marked
- Dampened

TEST STANDARDS

- Salt Spray ASTM B117 500 h
- Vibration 5-2000 Hz 3 Axis, 10 Grms
- Shock Tested 50 G 11 ms
- IP69K
- EN55025 / CISPR 25 Class 5

For further information visit www.tyriLights.com or contact your local sales team.





1010 DIFFUSED

LIGHT OUTPUT	VOLTAGE		AMP DRAW		POWER	COLOUR TEMPERATURE	EMC	ECE
	Machine	Operating	12 V	24 V			Watts	K
500 eLm	12-48 V	9-60 V	1,4 A	0,6 A	14 W	5,700 K	5	-
1,000 eLm	12-48 V	9-60 V	1,3 A	0,7 A	17 W	5,700 K	5	-
1,500 eLm	12-48 V	9-60 V	2,3 A	1,1 A	26 W	5,700 K	5	-

LED work lights are exposed to dirt, fertilizers, road salt, acids and more. For best performance and long lifetime, the lens and the cooling fins must be cleaned on a regular basis.