



V36 LIGHTBAR

Designed for the off road / 4x4 enthusiast, TYRI's modular light bar has a slim design and replaceable lens, making it ideal for the off road environment. This light can be bracket or surface mounted and the end pieces are removable for maximum flexibility in mounting options.

Providing 12,900 effective lumen light output, this stylish and powerful unit will light your way to adventure.

Available with standard reflector, standard reflector with fog lens (yellow) and black reflector.



TECHNICAL DATA

- Housing Material:** Cast Aluminium
- Mounting Options:** Hanging
Standing
Flush
- Lens Material:** Polycarbonate
- Temperature range:** -40 to +85 °C
- Connector:** Deutsch (DT04-2P) built in.
Mating part: DT06-2S
- Weight:** 4,8 kg / 10,65 lb
- Light Patterns:** Narrow Symmetric

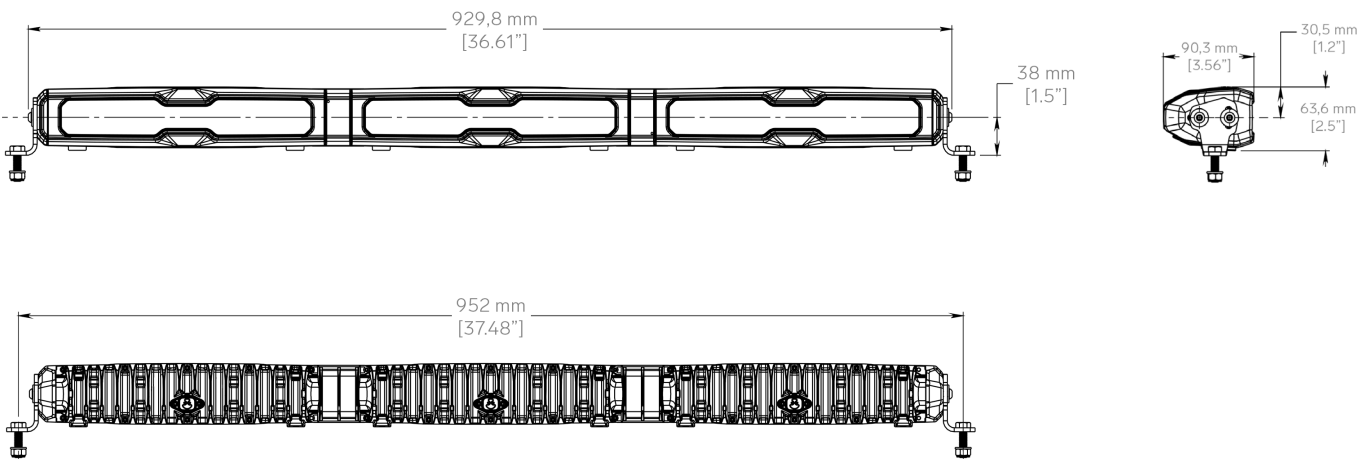
FEATURES

- Overheating Protection
- Over-voltage Protection
- Polarity Protection

TEST STANDARDS

- TBC
- TBC
- TBC
- IP69K
- EN55025/CISPR 25 Class 5

For further information visit www.tyriLights.com or contact your local sales team.





V36 LIGHTBAR

LIGHT OUTPUT	VOLTAGE		AMP DRAW		POWER Watts	COLOR TEMP K	LENS PATTERN	REFLECTOR	PART NO.	EMC	ECE
	Machine	Operating	12 V	24 V						EN55025 / CISPR25	ECE Rating
12,900 eLm	12 V	9-16 V	17,4 A	-	210 W	5,700 K	Narrow Symmetric	Std	V12-019-1	5	-
12,900 eLm	12 V	9-16 V	17,4 A	-	210 W	5,700 K	Narrow Symmetric	Black	V12-012-1	5	-
12,900 eLm	12 V	9-16 V	17,4 A	-	210 W	5,700 K	Narrow Symmetric	Std/Fog	V12-018-1	5	-

LED work lights are exposed to dirt, fertilizers, road salt, acids and more. For best performance and long lifetime, the lens and the cooling fins must be cleaned on a regular basis.