



# D10 SWIVEL

The D10 Swivel has a streamlined shape and a swivel side mounting bracket. This bracket enables the D10 Swivel to be easily adjusted into various positions for individual illumination of the work area.

Due to its high lumen output, it is used for larger machines and tractors. Highest EMC class rating has been awarded to avoid radio interference.



## TECHNICAL DATA

- Housing Material:** Cast Aluminium
- Mounting Options:** Side
- Lens Material:** Polycarbonate
- Temperature range:** -40 to +85 °C
- Connector:** Deutsch (DT04-2P) built in.  
Mating part: DT06-2S
- Weight:** 877 kg / 1,93 lb
- Light Patterns:** Narrow Symmetric  
Medium Symmetric  
Medium Asymmetric

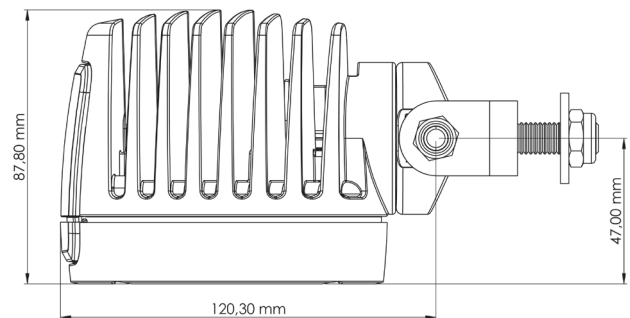
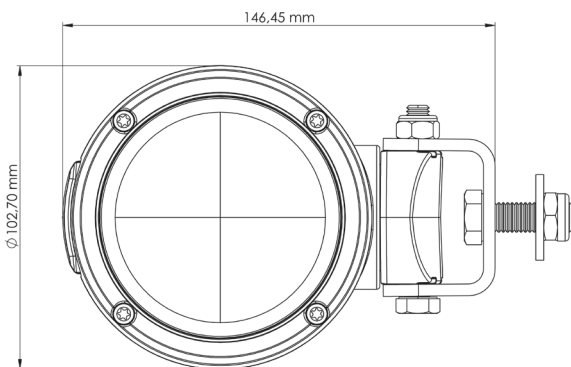
## FEATURES

- Overheating Protection
- Over-voltage Protection
- Polarity Protection
- CE - marked

## TEST STANDARDS

- Salt Spray ASTM B117 48 h
- Vibration 5-2000 Hz 3 Axis, 8 grms
- Shock Tested 50 G 10 ms
- IP69K
- EMC EN55025 / CISPR 25 Class 5, ISO7637-2, ISO16750-2, ISO10605, ISO11452-4, EN61000-4-2, EN61000-4-3, EN61000-4-4, EN61000-6-2, EN61000-6-3

For further information visit [www.tyriLights.com](http://www.tyriLights.com) or contact your local sales team.





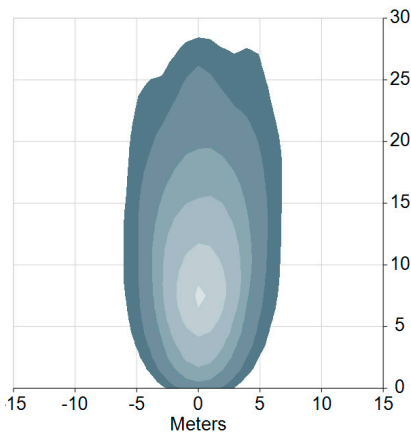
# D10 SWIVEL

LIGHT OUTPUT	VOLTAGE		AMP DRAW		POWER	COLOUR TEMPERATURE	EMC	ECE
	Machine	Operating	12 V	24 V				
1,100 eLm	12 V	9-16 V	1,0 A	-	14 W	5,700 K	5	-
1,100 eLm	24 V	18-32 V	-	0,5 A	14 W	5,700 K	5	-
1,400 eLm	12 V	9-16 V	1,3 A	-	18 W	5,700 K	5	-
1,400 eLm	24 V	18-32 V	-	0,7 A	20 W	5,700 K	5	-
1,800 eLm	12 V	9-16 V	1,8 A	-	25 W	5,700 K	5	-
1,800 eLm	24 V	18-32 V	-	0,9 A	25 W	5,700 K	5	-
2,000 eLm	12 V	9-16 V	2,1 A	-	29 W	5,700 K	5	-
2,000 eLm	24 V	18-32 V	-	1,1 A	31 W	5,700 K	5	-
2,500 eLm	12 V	9-16 V	2,4 A	-	34 W	5,700 K	5	-
2,500 eLm	24 V	18-32 V	-	1,4 A	39 W	5,700 K	5	-
3,200 eLm	12 V	9-16 V	3,2 A	-	45 W	5,700 K	5*	-
3,200 eLm	24 V	18-32 V	-	1,5 A	42 W	5,700 K	5*	-

\* Missing all EN61000 approval

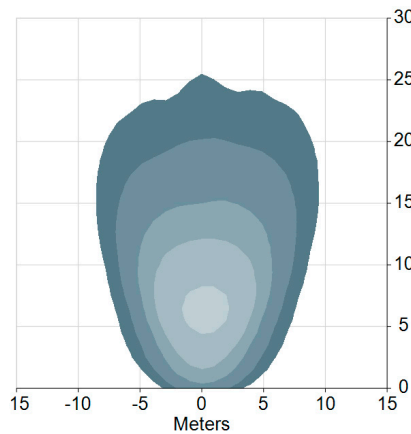
## TYPICAL LIGHT PATTERNS

Example for D10 Swivel / 3,200 effective lumen



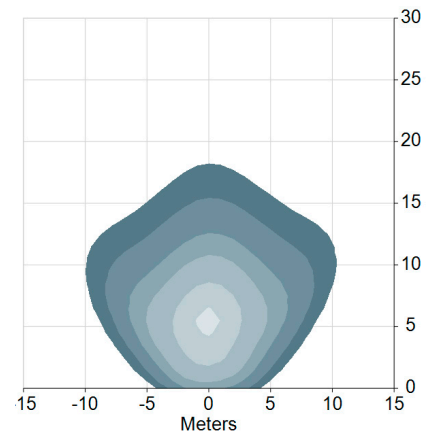
**D10 Swivel / 3,200 eLm**

Narrow, 0-30°  
3.0 m / -15°  
Symmetric



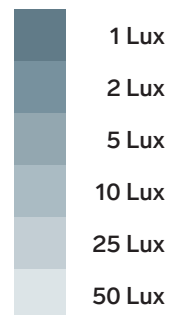
**D10 Swivel / 3,200 eLm**

Medium, 31 - 45°  
3.0 m / -15°  
Symmetric



**D10 Swivel / 3,200 eLm**

Medium, 31 - 45°  
3.0 m / -15°  
Asymmetric



LED work lights are exposed to dirt, fertilizers, road salt, acids and more. For best performance and long lifetime, the lens and the cooling fins must be cleaned on a regular basis.