



# 0910A MARKER



This square, dual-sided turn signal is typically installed on the fenders or cabs of vehicles. Its main purpose is to clearly indicate the direction the machine is turning and can be mounted using a pedestal or hanging mount.

## TECHNICAL DATA

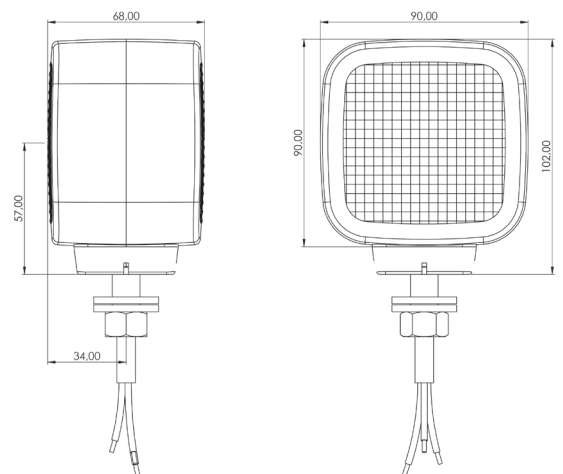
- Housing Material:** PC
- Mounting Options:** Bolt through housing - Hanging, Standing, Side
- Lens Material:** Amber & Clear PC
- Temperature range:** -40 to +75 °C
- Connector:** Bare wires

## FEATURES

- Overheating Protection
- Over-voltage Protection
- Polarity Protection

## TEST STANDARDS

- IP69K



For further information visit [www.tyrilights.com](http://www.tyrilights.com) or contact your local sales team.

LENS COLOUR	VOLTAGE		AMP DRAW		POWER	EMC	ECE
	Machine	Operating	12 V	24 V	Watts	EN55025 / CISPR25	ECE Rating
Amber	24 V	18-32 V	- A	0,04 A (tail)	1 W (tail)	-	-
			- A	0,15 A (turn)	4 W (turn)		
Red & Amber	24 V	18-32 V	- A	0,04 A (tail)	1 W (tail)	-	-
			- A	0,13 A (turn)	4 W (turn)		

Product may not be available in all territories. Please check with your local TYRI office.

LED work lights are exposed to dirt, fertilizers, road salt, acids and more. For best performance and long lifetime, the lens and the cooling fins must be cleaned on a regular basis.