



0717

TYRI has developed the 0717 using the latest LED technology. This LED light features special automotive-style optics and provides up to 2,150 effective lumens. It can swivel 360 degrees and adjust vertically up to 60 degrees, offering a wide range of mounting options.

The 0717 is highly versatile and can be used in a variety of applications globally, including in agriculture.



TECHNICAL DATA

- Housing Material:** Cast Aluminium
- Mounting Options:** Hanging
Standing
- Lens Material:** Polycarbonate
- Temperature range:** -40 to +85 °C
- Connector:** Deutsch (DT04-2P)
built in
- Weight:** 800 g / 1.76 lb
- Light Patterns:** Short Range
Long Range

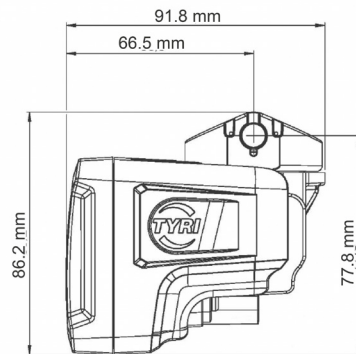
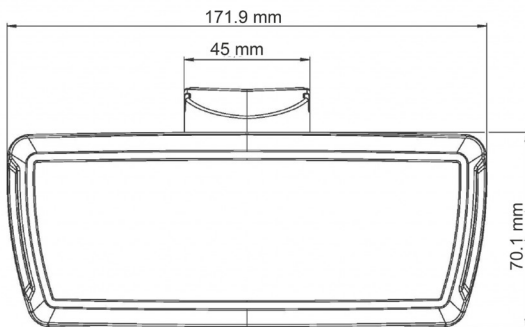
FEATURES

- Overheating Protection
- Over-voltage Protection
- Polarity Protection

TEST STANDARDS

- Salt Spray ASTM B117 500 h
- Vibration 5-2000 Hz 3 Axis, 10 Grms
- Shock Tested 50 G 11 ms
- IP69K
- EMC EN55025 / CISPR 25 Class 5, ISO 7637-2, ISO 16750-2, ISO 10605, ISO 11452-2, ISO 11452-4
- ECE R10

For further information visit www.tyrilights.com or contact your local sales team.

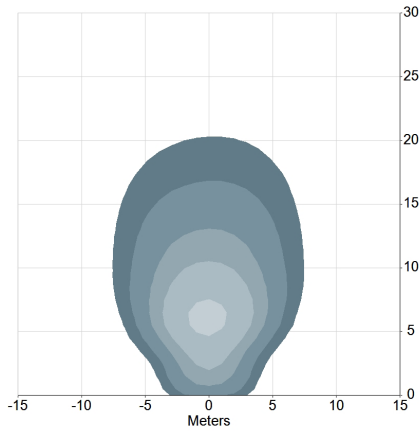




0717

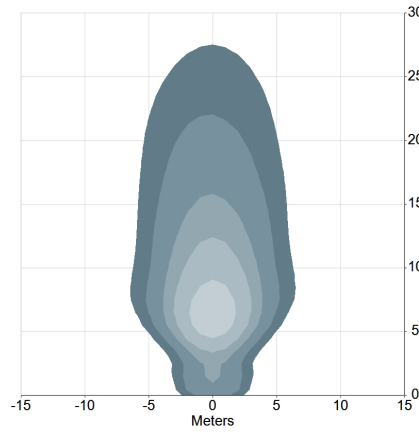
LIGHT OUTPUT	VOLTAGE		AMP DRAW		POWER	COLOR TEMP	LENS PATTERN	PART NO.	EMC	ECE
	Effective Lumen	Machine	Operating	12 V	24 V	Watts			K	EN55025 / CISPR25
2,150 eLm	12 V	9-16 V	2,5 A	- A	30 W	5,700 K	Short Range	OLP-001-1	5	R10
2,150 eLm	12 V	9-16 V	2,5 A	- A	30 W	5,700 K	Long Range	OLP-002-1	5	R10

TYPICAL LIGHT PATTERNS



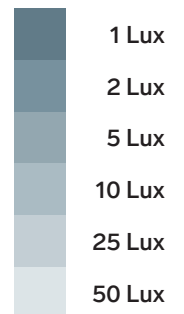
0717 Short Range

Medium, 31 - 45°
3.0 m / -15°
Asymmetric



0717 Long Range

Narrow, 0-30°
3.0 m / -15°
Symmetric



LED work lights are exposed to dirt, fertilizers, road salt, acids and more. For best performance and long lifetime, the lens and the cooling fins must be cleaned on a regular basis.