



# 1010 FLUSH DIFFUSED



The 1010 Flush Diffused has no cooling flanges and must be directly mounted on the surface of the vehicle where the metal of the machine is used to create a cooling effect for the light emitting diodes. Thanks to the flush design it is a perfect choice for confined spaces.

## TECHNICAL DATA

<b>Housing Material:</b>	Cast Aluminium
<b>Mounting Options:</b>	Flush
<b>Lens Material:</b>	Polycarbonate & Grillamid
<b>Temperature range:</b>	-
<b>Connector:</b>	Deutsch (DT04-2P) built in Mating part: DT06-2S
<b>Weight:</b>	413 g / 0,91 lb
<b>Light Patterns:</b>	Diffused

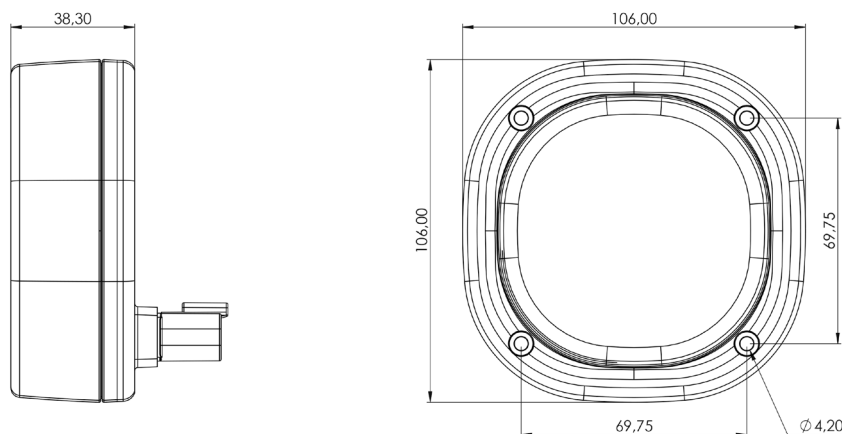
## FEATURES

- Overheating Protection
- Over-voltage Protection
- Polarity Protection
- UL Optional

## TEST STANDARDS

- 
- Vibration 5-2000 Hz 3 Axis, 8 Grms
- Shock Tested 50 G 11 ms
- IP69K
- EN55025 / CISPR 25 Class 5  
ISO7637-2, ISO16750-2, ISO10605,  
ISO11452-2, ISO10452-4, EN61000-4-2, EN61000-4-3

For further information visit [www.tyrilights.com](http://www.tyrilights.com) or contact your local sales team.





# 1010 FLUSH DIFFUSED

LIGHT OUTPUT	VOLTAGE		AMP DRAW		POWER	COLOR TEMP	LENS PATTERN	PART NO.	EMC	ECE
	Effective Lumen	Machine	Operating	12 V	24 V	Watts			K	EN55025 / CISPR25
500 eLm	12-48 V	9-60 V	1,3 A	0,6 A	15 W	5,700 K	Diffused	CLF-111-1	5	R10
950 eLm	12-48 V	9-60 V	2,5 A	1,3 A	30 W	5,700 K	Diffused	CLF-112-1	5	-
1,450 eLm	12-48 V	9-60 V	2,4 A	1,2 A	29 W	5,700 K	Diffused	-	5	R10

LED work lights are exposed to dirt, fertilizers, road salt, acids and more. For best performance and long lifetime, the lens and the cooling fins must be cleaned on a regular basis.