



D8 SWIVEL REDPOINT

D8 Swivel Redpoint enhances safety and reduces the likelihood of accidents in the vicinity of machinery. It provides a visual safety feature in addition to relying solely on sirens and alarms. The D8 Swivel Redpoint projects a light beam in the form of a concentrated, visible square on the floor in front of or behind the machine.

This warning light is also available as a regular work light, enabling you to match your machine lighting for a seamless design.



Note: the lens of the Redpoint is clear, the red light is emitted from LEDs

TECHNICAL DATA

Housing Material:	Cast Aluminium
Mounting Options:	Hanging Standing
Lens Material:	Polycarbonate
Temperature range:	-40 to +85 °C
Connector:	Deutsch (DT04-2P) built in. Mating part: DT06-2S
Weight:	525 g / 1,16 lb
Light Patterns:	Spot

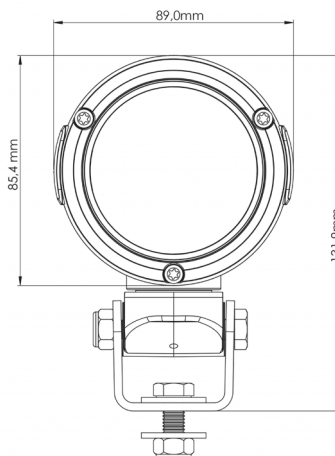
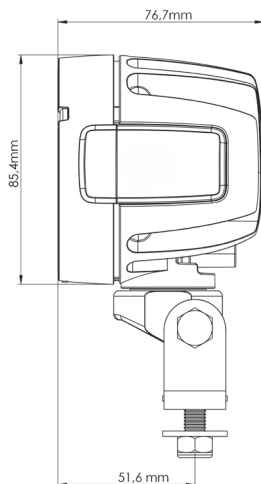
FEATURES

- Overheating Protection
- Over-voltage Protection
- Polarity Protection

TEST STANDARDS

- Salt Spray ASTM B117 500 h
- Vibration 5-2000 Hz 3 Axis, 8 Grms
- Shock Tested 50 G 11 ms
- IP69K
- EN55025 / CISPR 25 Class 3, ISO 7637-2, ISO 16750-2, ISO 10605, EN610000-4-2, EN610000-4-3, EN610000-4-4, EN610000-6-3

For further information visit www.tyrilights.com or contact your local sales team.





D8 SWIVEL REDPOINT

LIGHT INTENSITY	VOLTAGE		AMP DRAW		POWER	DOMINANT WAVELENGTH	LENS PATTERN	PART NO.	EMC	ECE
	Candela	Machine	Operating	12 V	24 V	Watts	nm		EN55025 / CISPR25	ECE Rating
25,000 cd	12-48 V	9-60 V	0,9 A	0,5 A	15 W	630 nm	Spot	-	3	-

LED work lights are exposed to dirt, fertilizers, road salt, acids and more. For best performance and long lifetime, the lens and the cooling fins must be cleaned on a regular basis.