



BASEline™ R1 SWIVEL

The BASEline range is a new cost effective professional lighting solution from TYRI, to enhance work environments and task performance. This light enables you to take your first steps into LED with a quality product made in accredited facilities.

Available with up to 1,100 effective lumen output and tested to TYRI's high standards, this light will light your way to upgrading your halogen solution.



TECHNICAL DATA

Housing Material:	Cast Aluminium & Plastic
Mounting Options:	Side
Lens Material:	Polycarbonate
Temperature range:	-40 to +75 °C
Connector:	Deutsch (DT04-2P) built in. Mating part: DT06-2S
Weight:	320 g / 0,71 lb
Light Patterns:	Medium Symmetric

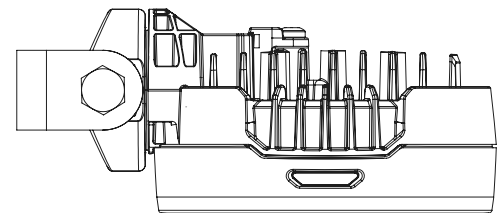
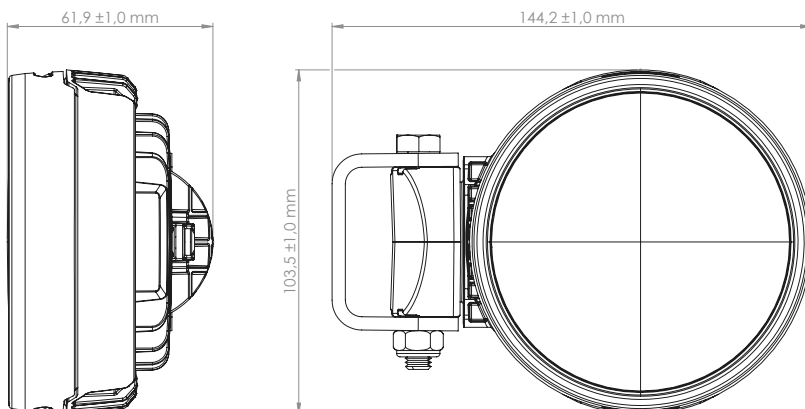
FEATURES

- Overheating Protection
- Over-voltage Protection
- Polarity Protection
- UL Optional

TEST STANDARDS

- Salt Spray ASTM B117 500 h
- Vibration 5-2000 Hz 3 Axis, 10 Grms
- Shock Tested 50 G 11 ms
- IP69K
- EMC EN55025 / CISPR 25 Class 5, ISO7637-2, ISO16750-2, ISO10605, ISO11452-2, ISO11452-4, EN61000-4-2, EN61000-4-3, EN61000-4-4, EN61000-6-2, EN61000-6-3

For further information visit www.tyrilights.com or contact your local sales team.





BASEline™ R1 SWIVEL

LIGHT OUTPUT	VOLTAGE		AMP DRAW		POWER	COLOR TEMP	LENS PATTERN	PART NO.	EMC	ECE
	Machine	Operating	12 V	24 V					Watts	K
700 eLm	12 V	9-16 V	1,0 A	-	14 W	5,700 K	Medium Symmetric		5	-
700 eLm	24 V	18-32 V	-	0,5 A	14 W	5,700 K	Medium Symmetric		5	-
1,100 eLm	12 V	9-16 V	0,9 A	-	13 W	5,700 K	Medium Symmetric		5	-
1,100 eLm	24 V	18-32 V	-	0,5 A	14 W	5,700 K	Medium Symmetric		5	-

LED work lights are exposed to dirt, fertilizers, road salt, acids and more. For best performance and long lifetime, the lens and the cooling fins must be cleaned on a regular basis.