



1010 REDPOINT



Note: the lens of the RedPoint is clear, the red light is emitted from LEDs

1010 RedPoint enhances safety and reduces the likelihood of accidents. It enables visual safety measures instead of solely depending on sirens or alarms, particularly in noisy environments. 1010 RedPoint projects a focused beam of light in the form of a large, noticeable square on the floor, in front or behind the machine.

This warning light is obtainable as a standard work light, making it possible for you to coordinate your machine lighting for a consistent design.

TECHNICAL DATA

- Housing Material:** Cast Aluminium
- Mounting Options:** Hanging
Standing
- Lens Material:** PC
- Temperature range:** -40 to +75 °C
- Connector:** Deutsch (DT04-2P) built in.
Mating part: DT06-2S
- Weight:** 616 kg / 1.36 lb
- Light Patterns:** Spot

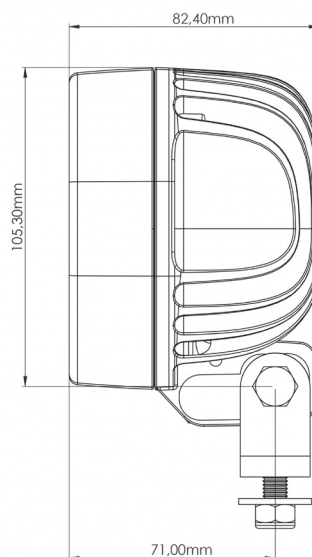
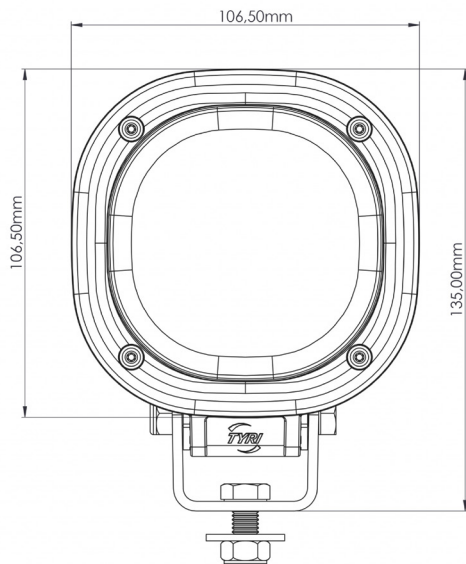
FEATURES

- Overheating Protection
- Over-voltage Protection
- Polarity Protection
- Dampened
- UL Optional

TEST STANDARDS

- Salt Spray ASTM B117 500 h
- Vibration 5-2000 Hz 3 Axis, 10 Grms
- Shock Tested 50 G 11 ms
- IP69K
- EN55025 / CISPR 25 Class 4, ISO 7637-2, ISO 16750-2, ISO 10605, ISO11452-2, ISO11452-4

For further information visit www.tyriLights.com or contact your local sales team.





1010 REDPOINT

LIGHT INTENSITY	VOLTAGE		AMP DRAW		POWER	DOMINANT WAVELENGTH	LENS PATTERN	PART NO.	EMC	ECE
	Machine	Operating	12 V	24 V	Watts	nm			EN55025 / CISPR25	ECE Rating
20.000 cd	12-48 V	9-60 V	1.4 A	0.7 A	15 W	630 nm	Spot	CLD-448-1	4	-

LED work lights are exposed to dirt, fertilizers, road salt, acids and more. For best performance and long lifetime, the lens and the cooling fins must be cleaned on a regular basis.