



BASEline™ S1 DIFFUSED

The BASEline range is a new affordable professional lighting solution from TYRI, designed to improve work environments and task performance. This light allows you to venture into LED technology with a high-quality product made in accredited facilities.

Available with up to 750 effective lumen output and tested to TYRI's high standards, this light will illuminate your way to upgrading your halogen solution.



TECHNICAL DATA

- Housing Material:** Plastic
- Mounting Options:** Hanging
Standing
- Lens Material:** Polycarbonate
- Temperature range:** -40 to +85 °C
- Connector:** Deutsch (DT04-2P) built in.
Mating part: DT06-2S
- Weight:** 350 g / 0,77 lb
- Light Patterns:** Diffused

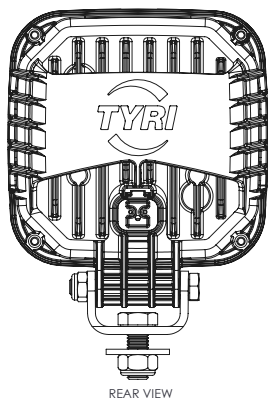
FEATURES

- Overheating Protection
- Over-voltage Protection
- Polarity Protection
- UL Optional

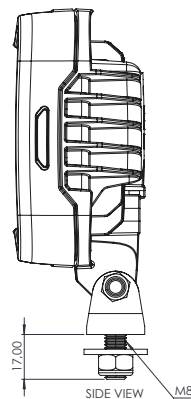
TEST STANDARDS

- Salt Spray ASTM B117 500 h
- Vibration 5-2000 Hz 3 Axis, 10 Grms
- Shock Tested 50 G 11 ms
- IP69K
- EN55025 / CISPR 25 Class 5, ISO7637-2, ISO16750-2, ISO10605, ISO11452-2, ISO11452-4, EN61000-4-2, EN61000-4-3, EN61000-4-4, EN61000-6-2, EN61000-6-3
- ECE R10

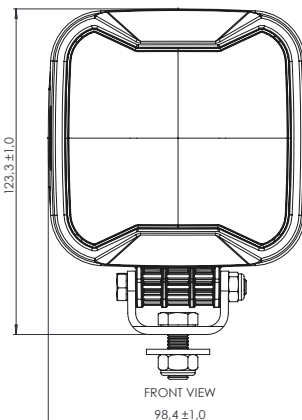
For further information visit www.tyriights.com or contact your local sales team.



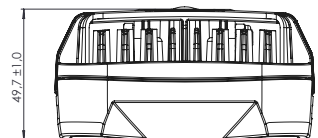
REAR VIEW



SIDE VIEW



FRONT VIEW



49.7 ±1.0



BASEline™ S1 DIFFUSED

LIGHT OUTPUT	VOLTAGE		AMP DRAW		POWER	COLOR TEMP	LENS PATTERN	PART NO.	EMC	ECE
	Machine	Operating	12 V	24 V	Watts	K			EN55025 / CISPR25	ECE Rating
Effective Lumen	24 V	18-32 V	- A	0,5 A	14 W	5,700 K	Diffused	-	5	R10

LED work lights are exposed to dirt, fertilizers, road salt, acids and more. For best performance and long lifetime, the lens and the cooling fins must be cleaned on a regular basis.