



# 1010 REDBEAM



The BlueBeam and RedBeam LED spotlights have a wider beam pattern than the BluePoint and RedPoint. In addition to their powerful illumination, the RedBeam features a bright red color that serves a practical purpose, providing crop sprayer operators with full visibility of the nozzle spray as it is spread across the fields.

Note: the lens of the RedBeam is clear, the red light is emitted from LEDs

## TECHNICAL DATA

- Housing Material:** Cast Aluminium
- Mounting Options:** Hanging  
Standing
- Lens Material:** PC
- Temperature range:** -40 to +75 °C
- Connector:** Deutsch (DT04-2P) built in.  
Mating part: DT06-2S
- Weight:** 616 kg / 1.36 lb
- Light Patterns:** Spot

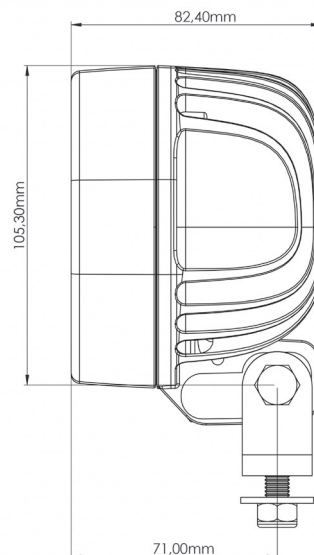
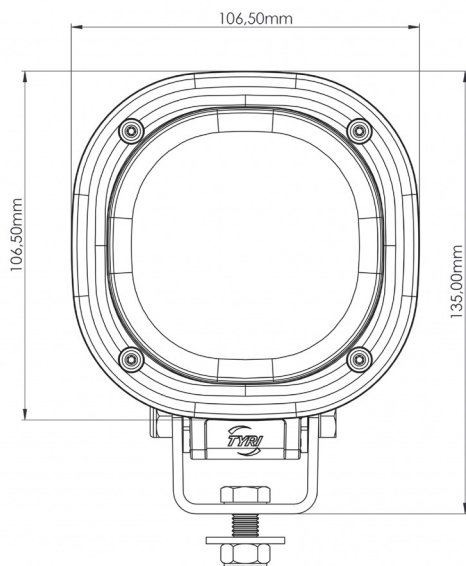
## FEATURES

- Overheating Protection
- Over-voltage Protection
- Polarity Protection
- Dampened
- UL Optional

## TEST STANDARDS

- Salt Spray ASTM B117 500 h
- Vibration 5-2000 Hz 3 Axis, 10 Grms
- Shock Tested 50 G 11 ms
- IP69K
- EN55025 / CISPR 25 Class 5,  
ISO 7637-2, ISO 16750-2, ISO 10605,  
ISO11452-2, ISO11452-4

For further information visit [www.tyriLights.com](http://www.tyriLights.com) or contact your local sales team.





# 1010 REDBEAM

LIGHT INTENSITY	VOLTAGE		AMP DRAW		POWER	DOMINANT WAVELENGTH	LENS PATTERN	PART NO.	EMC	ECE
	Candela	Machine	Operating	12 V	24 V	Watts	nm		EN55025 / CISPR25	ECE Rating
10.000 cd	12-48 V	9-60 V	1.2 A	0.6 A	15 W	630 nm	Spot	CLD-584-1	5	-

LED work lights are exposed to dirt, fertilizers, road salt, acids and more. For best performance and long lifetime, the lens and the cooling fins must be cleaned on a regular basis.