



# 0910A MARKER



This square, dual sided, turn marker is commonly placed on fenders and cabs of vehicles. It's primary use is to clearly indicate the direction the machine is turning and is mounted via pedestal or hanging mount.

## TECHNICAL DATA

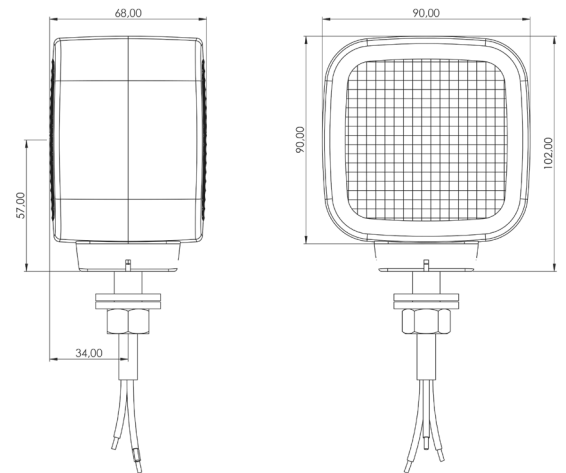
- Housing Material:** PC
- Mounting Options:** Bolt through housing - Hanging, Standing, Side
- Lens Material:** Amber & Clear PC
- Temperature range:** -40 to +75 °C
- Connector:** Bare wires

## FEATURES

- Overheating Protection
- Over-voltage Protection
- Polarity Protection

## TEST STANDARDS

- IP69K



For further information visit [www.tyriLights.com](http://www.tyriLights.com) or contact your local sales team.

LENS COLOUR	VOLTAGE		AMP DRAW		POWER Watts	EMC EN55025 / CISPR25	ECE ECE Rating
	Machine	Operating	12 V	24 V			
Amber	24 V	18-32 V	- A	0,04 A (tail)	1 W (tail)	-	-
				0,15 A (turn)	4 W (turn)		
Red & Amber	24 V	18-32 V	- A	0,04 A (tail)	1 W (tail)	-	-
				0,13 A (turn)	4 W (turn)		

Product may not be available in all territories. Please check with your local TYRI office.

LED work lights are exposed to dirt, fertilizers, road salt, acids and more. For best performance and long lifetime, the lens and the cooling fins must be cleaned on a regular basis.