



# 1010 AC

The 1010 AC works at a voltage of 100 V – 277 V. This work light is an ideal match for mining, aggregate stations, conveyors and stationary lighting applications.



## TECHNICAL DATA

- Housing Material:** Cast Aluminium
- Mounting Options:** Hanging  
Standing
- Lens Material:** Polycarbonate
- Temperature range:** -40 to +50 °C
- Connector:** Flying leads
- Weight:** 1,4 kg / 3,1 lb
- Light Patterns:** Medium Symmetric  
Wide Symmetric  
Medium Asymmetric  
High  
Spot

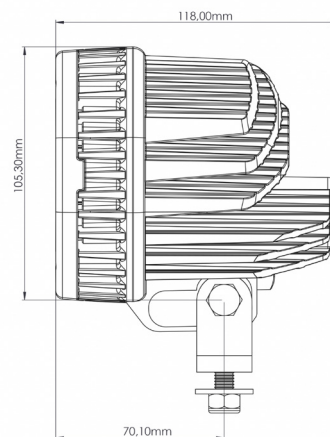
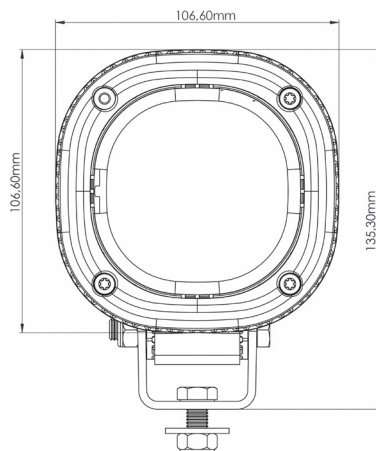
## FEATURES

- Overheating Protection
- Over-voltage Protection
- Polarity Protection
- Dampened

## TEST STANDARDS

- Salt Spray ASTM B117 500 h
- Vibration 5-2000 Hz 3 Axis, 10 Grms
- Shock Tested 50 G 11 ms
- IP69K
- EMC AC/DC Converter:  
EN55015 Class B  
FCC 47CFR part 15 Class B  
Susceptibility:  
EN61000-4-2,-3,-4,-6 & -11  
ANSI c62.41-1991 Category A1, 2.5kV  
Ringwave

For further information visit [www.tyrilights.com](http://www.tyrilights.com) or contact your local sales team.



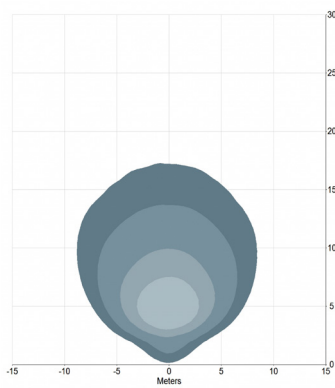


# 1010 AC

LIGHT OUTPUT	VOLTAGE	AMP DRAW		POWER	COLOR TEMP	LENS PATTERN	PART NO.
		120 V / 60Hz	240 V / 60 Hz				
Effective Lumen	Machine	120 V / 60Hz	240 V / 60 Hz	Watts	K		
2,200 eLm	100-277 VAC Nominal / 47-63 Hz	0,33 A	0,17 A	40 W	5,100 K	Wide Symmetric	CLD-487-1
3,200 eLm	100-277 VAC Nominal / 47-63 Hz	0,33 A	0,17 A	40 W	5,700 K	Medium Symmetric	CLD-586-1
						Wide Symmetric	CLD-583-1

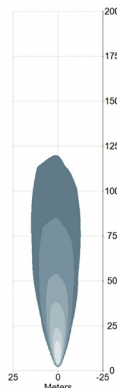
## TYPICAL LIGHT PATTERNS

Example for 1010 AC / 2,200 effective lumen.



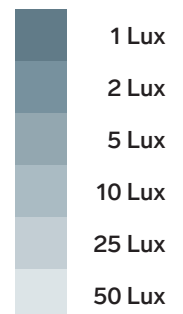
### 1010 AC / 2,200 eLm

Wide, 45° +  
3.0 m / -15°  
Symmetric



### 1010 AC / 2,200 eLm

Spot, 31 - 45°  
1.0 m / 0°  
Symmetric



LED work lights are exposed to dirt, fertilizers, road salt, acids and more. For best performance and long lifetime, the lens and the cooling fins must be cleaned on a regular basis.