



# 1010 REDBEAM



Note: the lens of the RedBeam is clear, the red light is emitted from LEDs

The BlueBeam and RedBeam LED are powerful spot lights, with a wider beam pattern than the BluePoint and RedPoint. Along with the bright red colour, the RedBeam serves a practical purpose, ensuring operators of crop sprayers have full visibility of the nozzle spray being spread across the fields with its powerful illumination.

## TECHNICAL DATA

- Housing Material:** Cast Aluminium
- Mounting Options:** Hanging  
Standing
- Lens Material:** PC
- Temperature range:** -40 to +75 °C
- Connector:** Deutsch (DT04-2P) built in.  
Mating part: DT06-2S
- Weight:** 616 kg / 1.36 lb
- Light Patterns:** Spot

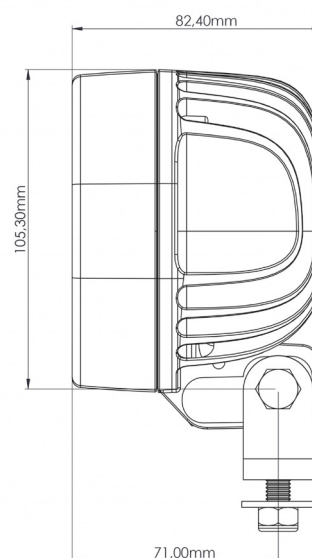
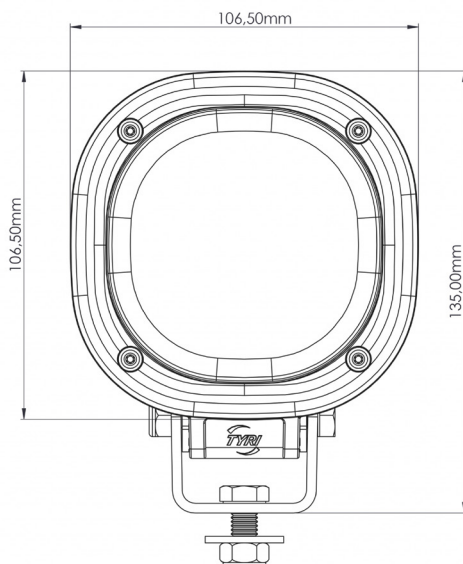
## FEATURES

- Overheating Protection
- Over-voltage Protection
- Polarity Protection
- CE - marked
- Dampened

## TEST STANDARDS

- Salt Spray ASTM B117 500 h
- Vibration 12-200 Hz 3 Axis, 10 Grms
- Shock Tested 50 G 11 ms
- IP69K
- EN55025 / CISPR 25 Class 5, ISO 7637-2, ISO 16750-2, ISO 10605, ISO11452-2, ISO11452-4

For further information visit [www.tyrilights.com](http://www.tyrilights.com) or contact your local sales team.





# 1010 REDBEAM

LIGHT OUTPUT	VOLTAGE		AMP DRAW		POWER	DOMINANT WAVELENGTH	EMC	ECE
	Machine	Operating	12 V	24 V			EN55025 / CISPR25	ECE Rating
Candela	Machine	Operating	12 V	24 V	Watts	nm	EN55025 / CISPR25	ECE Rating
10 000 cd	12-48 V	9-60 V	1.2 A	0.6 A	15 W	630 nm	5	-

LED work lights are exposed to dirt, fertilizers, road salt, acids and more. For best performance and long lifetime, the lens and the cooling fins must be cleaned on a regular basis.