



1010 WHITEBEAM



The 1010 WhiteBeam is a unique energy efficient spotlight capable of delivering a high candela output in a concentrated area. It is specifically designed to perform as a long-distance light with a very narrow concentrated pattern. Can be used as a search light.

TECHNICAL DATA

Housing Material:	Cast Aluminium
Mounting Options:	Hanging Standing
Lens Material:	PC
Temperature range:	-40 to +75 °C
Connector:	Deutsch (DT04-2P) built in. Mating part: DT06-2S
Weight:	616 g / 1,36 lb
Light Patterns:	Spot

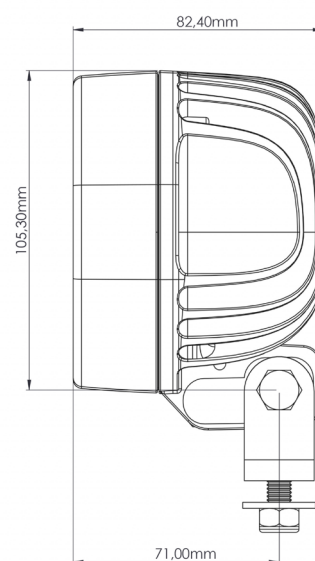
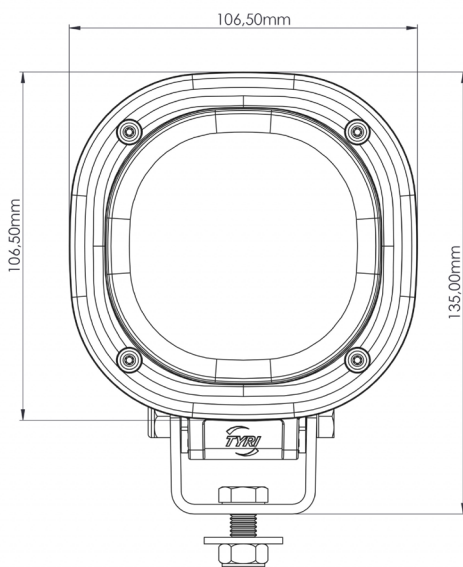
FEATURES

- Overheating Protection
- Over-voltage Protection
- Polarity Protection
- CE - marked
- Dampened

TEST STANDARDS

- Salt Spray ASTM B117 48 h
- Vibration 5-2000 Hz 3 Axis, 10 Grms
- Shock Tested 50 G 10 ms
- IP69K
- EMC EN55025 / CISPR 25 Class 5, ISO 7637-2, ISO 16750-2, ISO 10605, ISO11452-2, ISO11452-4

For further information visit www.tyriLights.com or contact your local sales team.





1010 WHITEBEAM

LIGHT OUTPUT	VOLTAGE		AMP DRAW		POWER	COLOUR TEMPERATURE	EMC	ECE
Effective Lumen	Machine	Operating	12 V	24 V	Watts	K	EN55025 / CISPR25	ECE Rating
850 eLm	12-48 V	9-60 V	1,0 A	0,5 A	14 W	5,700 K	5	-

LED work lights are exposed to dirt, fertilizers, road salt, acids and more. For best performance and long lifetime, the lens and the cooling fins must be cleaned on a regular basis.