



1010 WHITEPOINT



The WhitePoint is an impressive searchlight that has a narrower spot than the WhiteBeam and can project light over long distances with a high Candela output. This work light is suitable for use as a monitor to improve the task performance of firefighters or as a searchlight.

TECHNICAL DATA

Housing Material:	Cast Aluminium
Mounting Options:	Hanging Standing
Lens Material:	PC
Temperature range:	-40 to +75 °C
Connector:	Deutsch (DT04-2P) built in. Mating part: DT06-2S
Weight:	616 g / 1,36 lb
Light Patterns:	Spot

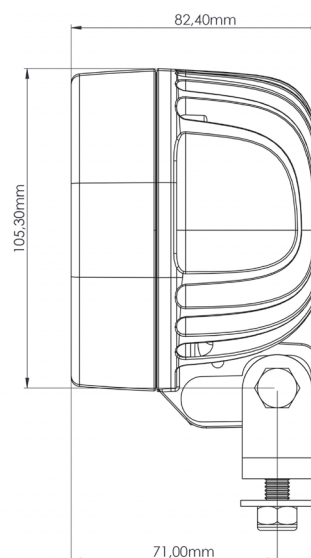
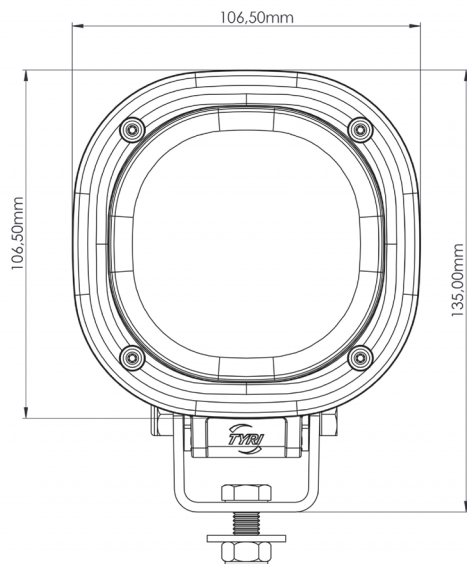
FEATURES

- Overheating Protection
- Over-voltage Protection
- Polarity Protection
- Dampened
- UL Optional

TEST STANDARDS

- Salt Spray ASTM B117 48 h
- Vibration 5-2000 Hz 3 Axis, 10 Grms
- Shock Tested 50 G 10 ms
- IP69K
- EMC EN55025 / CISPR 25 Class 5, ISO 7637-2, ISO 16750-2, ISO 10605, ISO11452-2, ISO11452-4

For further information visit www.tyrilights.com or contact your local sales team.





1010 WHITEPOINT

LIGHT OUTPUT	VOLTAGE		AMP DRAW		POWER	COLOR TEMP	LENS PATTERN	PART NO.	EMC	ECE
	Effective Lumen	Machine	Operating	12 V	24 V	Watts			K	EN55025 / CISPR25
700 eLm	12-48 V	9-60 V	1,4 A	0,6 A	17 W	5,700 K	Spot	CLD-585-1	5	-

LED work lights are exposed to dirt, fertilizers, road salt, acids and more. For best performance and long lifetime, the lens and the cooling fins must be cleaned on a regular basis.