



# BASEline™ S2

The BASEline range is a new cost-effective professional lighting solution from TYRI.

The combination of TYRI's advanced production methods and cutting-edge design ensures exceptional light quality at a highly competitive price. Tested to TYRI's high standards and produced in Sweden, UK and USA.

Available with up to 2,500 effective lumen output and tested to TYRI's high standards.



## TECHNICAL DATA

- Housing Material:** Plastic
- Mounting Options:** Hanging  
Standing
- Lens Material:** Polycarbonate
- Temperature range:** -40 to +85 °C
- Connector:** Deutsch (DT04-2P)  
built in.  
Mating part: DT06-2S
- Weight:** 460 g / 1,01 lb
- Light Patterns:** Medium Symmetric

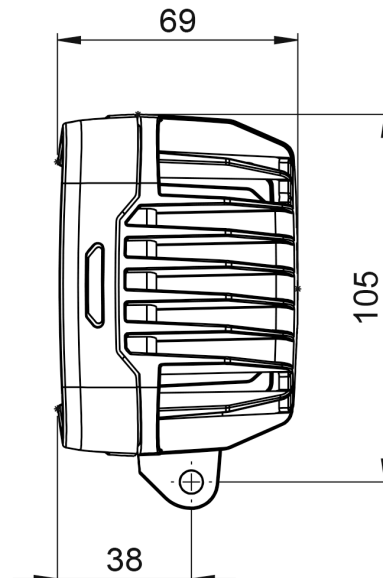
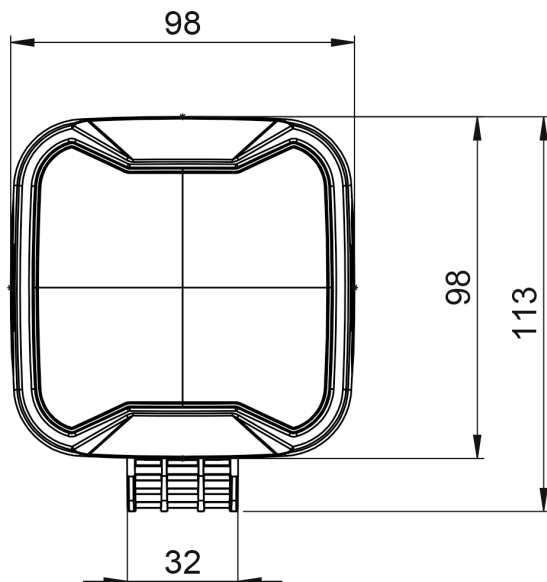
## FEATURES

- Overheating Protection
- Over-voltage Protection
- Polarity Protection
- CE - marked

## TEST STANDARDS

- Salt Spray ASTM B117 500 h
- Vibration 5-2000 Hz 3 Axis, 10 Grms
- Shock Tested 50 G 11 ms
- IP69K
- EN55025 / CISPR 25 Class 5, ISO7637-2, ISO16750-2, ISO10605, ISO11452-2, ISO11452-4, EN61000-4-2, EN61000-4-3, EN61000-4-4, EN61000-6-2, EN61000-6-3
- R10 & R148, see below

For further information visit [www.tyrilights.com](http://www.tyrilights.com) or contact your local sales team.





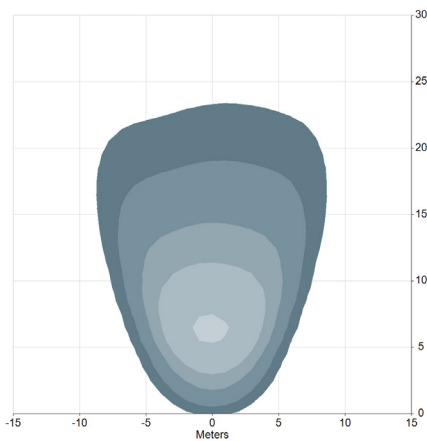
# BASEline™ S2

LIGHT OUTPUT	VOLTAGE		AMP DRAW		POWER	COLOUR TEMPERATURE	EMC	ECE
	Machine	Operating	12 V	24 V				
2,000 eLm	12 V	9-16 V	1,9 A	-	26 W	5,700 K	5	R10 + R148
2,000 eLm	24 V	18-32 V	-	1,2 A	26 W	5,700 K	5	R10 + R148
2,000 eLm	12-24 V	9-32 V	1,9 A	1,2 A	26 W	5,700 K	5	R10 + R148
2,500 eLm	12 V	9-16 V	2,2 A	-	31 W	5,700 K	5	R10
2,500 eLm	24 V	18-32 V	-	1,1 A	31 W	5,700 K	5	R10

\* Measurements made at charging voltage 14 V for 12 V systems and 28 V for 24 V systems.

## TYPICAL LIGHT PATTERNS

Example for BASEline S2 / 2,500 effective lumen



### BASEline S2 / 2,500 eLm

Medium, 31 - 45°  
3.0 m / -15°  
Symmetric

LED work lights are exposed to dirt, fertilizers, road salt, acids and more. For best performance and long lifetime, the lens and the cooling fins must be cleaned on a regular basis.