



# VL4 DIFFUSED

The VL4 with its stylish streamline design and small dimensions is used on Forklift trucks, floor scrubbers, ambulances, ATV's, UTV and also as entrance light on construction machines.

Available with thru bolt or bracket mount.



## TECHNICAL DATA

- Housing Material:** Cast Aluminium
- Mounting Options:** Flush, Bracket  
Hanging, Standing, Side
- Lens Material:** Polycarbonate
- Temperature range:** -40 to +85 °C
- Connector:** Deutsch (DT04-2P)  
built in.  
Mating part: DT06-2S
- Weight:** Flush 336 g / 0.74 lb  
Bracket 358 g / 0.79 lb
- Light Patterns:** Diffuse White

## FEATURES

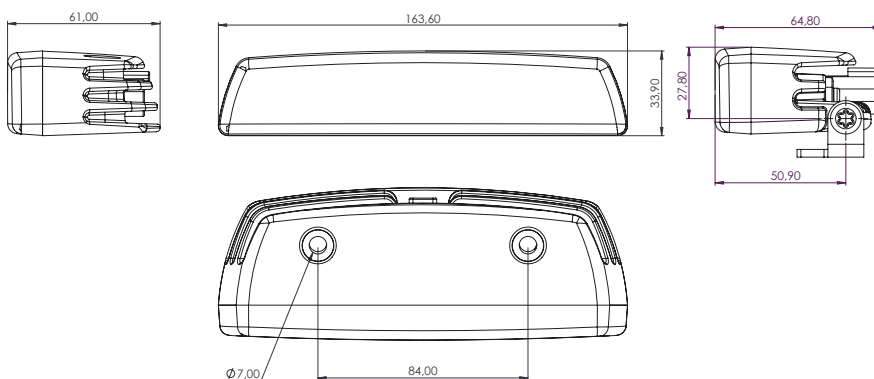
- Overheating Protection
- Over-voltage Protection
- Polarity Protection
- CE - marked

## TEST STANDARDS

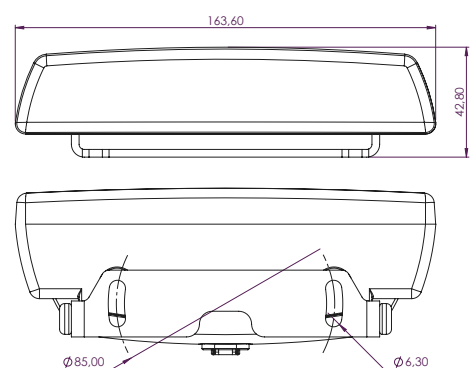
- Salt Spray ASTM B117 500 h
- Vibration 5-2000 Hz 3 Axis, 10 Grms
- Shock Tested 50 G 10 ms
- IP69K
- EN55025 / CISPR 25 Class 3,  
ISO7637-2, ISO10605, ISO11452-2,  
ISO11452-4, ISO16750-2

For further information visit [www.tyrilights.com](http://www.tyrilights.com) or contact your local sales team.

### VL4 Flush



### VL4 Bracket





# VL4 DIFFUSED

LIGHT OUTPUT	VOLTAGE		AMP DRAW		POWER	COLOUR TEMPERATURE	EMC	ECE
	Machine	Operating	12 V	24 V			Watts	K
500 eLm	12-48 V	9-60 V	1.2 A	0.7 A	8 W	5,700 K	3	-
800 eLm	12-48 V	9-60 V	1.5 A	1.0 A	12 W	5,700 K	3	-

LED work lights are exposed to dirt, fertilizers, road salt, acids and more. For best performance and long lifetime, the lens and the cooling fins must be cleaned on a regular basis.