



# 1323 AC

This is the AC version of the 1323 delivering a massive 13,500 effective lumen output. The curved design and mounting options of 60° trunnion mount ensure this work light is suitable for multiple applications and installation choices.

This light is available with a twin bracket for dual mounting, doubling the light output in any working area and a colour temperature of 4,000 K.



## TECHNICAL DATA

- Housing Material:** Cast Aluminium
- Mounting Options:** Hanging  
Standing
- Lens Material:** Grillamid & Glasscoated
- Temperature range:** -40 to +60 °C
- Connector:** Flying wires (1.5m)
- Weight:** 7.2 kg / 15.9 lb
- Light Patterns:** Medium Symmetric  
Wide Symmetric

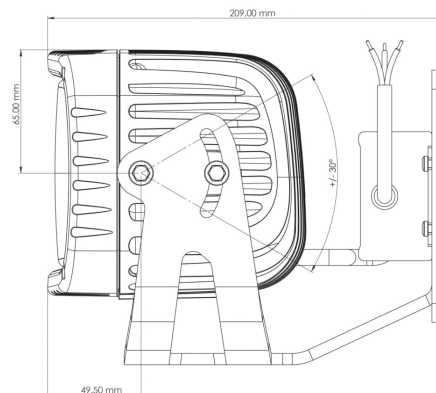
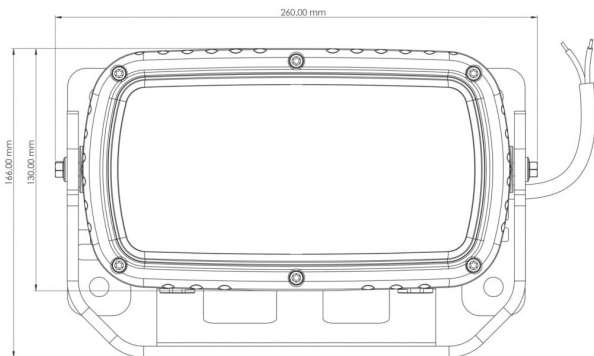
## FEATURES

- Overheating Protection
- Over-voltage Protection
- Polarity Protection
- CE - marked

## TEST STANDARDS

- Salt Spray ASTM B117 500 h
- Vibration 5-2000 Hz 3 Axis, 10 Grms
- Shock Tested 50 G 11 ms
- IP67
- EN55015,  
EN61000-6-2,  
EN61000-6-3

For further information visit [www.tyrilights.com](http://www.tyrilights.com) or contact your local sales team.



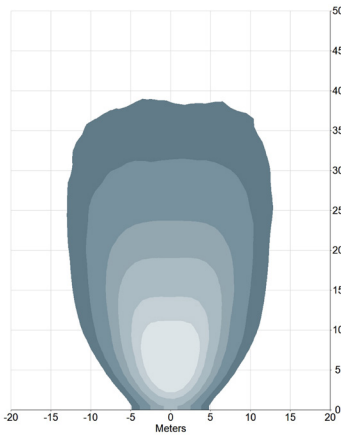


# 1323 AC

LIGHT OUTPUT	VOLTAGE		POWER	COLOUR TEMPERATURE	EMC
Effective Lumen	Machine	Operating	Watts	K	EN55025 / CISPR25
13,500 eLm	100-277 V	110-305 V	170 W	4,000 K	EN55015, EN61000-6-2, EN61000-6-3

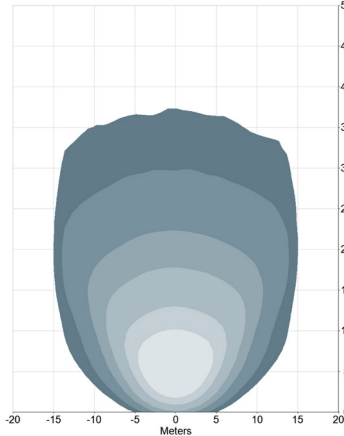
## TYPICAL LIGHT PATTERNS

Example for 1323 AC / 13,500 effective lumen



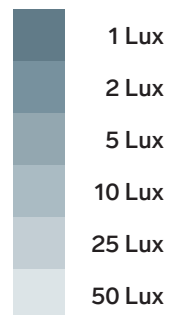
**1323 AC / 13,500 eLm**

Medium, 31 - 45°  
3.0 m / -15°  
Symmetric



**1323 AC / 13,500 eLm**

Wide, 45° +  
3.0 m / -15°  
Symmetric



LED work lights are exposed to dirt, fertilizers, road salt, acids and more. For best performance and long lifetime, the lens and the cooling fins must be cleaned on a regular basis.