



# BASEline™ S1 DIFFUSED

The BASEline range is a new cost effective professional lighting solution from TYRI, to enhance work environments and task performance. This light enables you to take your first steps into LED with a quality product made in accredited facilities.

Available with 750 effective lumen output and tested to TYRI's high standards, this light will light your way to upgrading your halogen solution.



## TECHNICAL DATA

- Housing Material:** Plastic
- Mounting Options:** Hanging  
Standing
- Lens Material:** Polycarbonate
- Temperature range:** -40 to +85 °C
- Connector:** Deutsch (DT04-2P)  
built in.  
Mating part: DT06-2S
- Weight:** 350 g / 0,77 lb
- Light Patterns:** Diffused

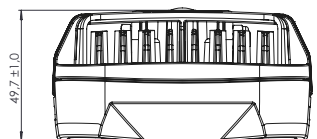
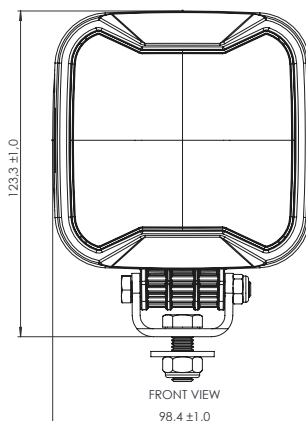
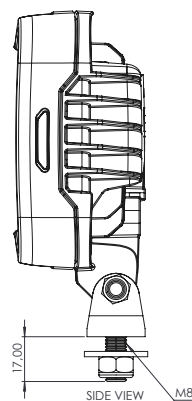
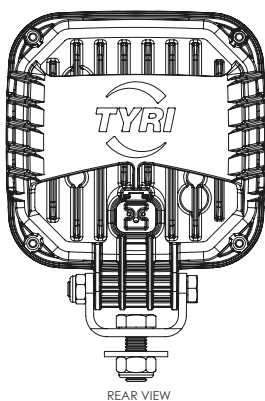
## FEATURES

- Overheating Protection
- Over-voltage Protection
- Polarity Protection
- CE - marked

## TEST STANDARDS

- Salt Spray ASTM B117 500 h
- Vibration 5-2000 Hz 3 Axis, 10 Grms
- Shock Tested 50 G 11 ms
- IP69K
- EN55025 / CISPR 25 Class 5,  
ISO7637-2, ISO16750-2, ISO10605,  
ISO11452-2, ISO11452-4, EN61000-4-2,  
EN61000-4-3, EN61000-4-4,  
EN61000-6-2, EN61000-6-3
- R10

For further information visit [www.tyrilights.com](http://www.tyrilights.com) or contact your local sales team.





# BASE line™ S1 DIFFUSED

LIGHT OUTPUT	VOLTAGE		AMP DRAW		POWER	COLOUR TEMPERATURE	EMC	ECE
	Machine	Operating	12 V	24 V				
Effective Lumen	24 V	18-32 V	-	0,5 A	14 W	5,700 K	5	R10

LED work lights are exposed to dirt, fertilizers, road salt, acids and more. For best performance and long lifetime, the lens and the cooling fins must be cleaned on a regular basis.