



# D8

The D8 lineup truly captures elegance and elevates the design of forklift trucks, construction machines, and tractors. It boasts remarkable visual characteristics that ensure a uniform lighting of the work area.

It comes equipped with a standard bracket for easy installation.



## TECHNICAL DATA

- Housing Material:** Cast Aluminium
- Mounting Options:** Hanging  
Standing
- Lens Material:** PC
- Temperature range:** -40 to +85 °C
- Connector:** Deutsch (DT04-2P) built in.  
Mating part: DT06-2S
- Weight:** 475 g / 1,05 lb
- Light Patterns:** Narrow Symmetric  
Medium Symmetric  
Wide Symmetric  
Wide Vertical Symmetric

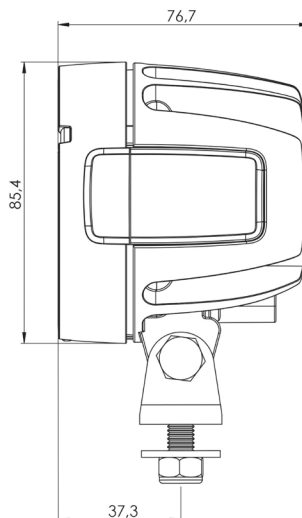
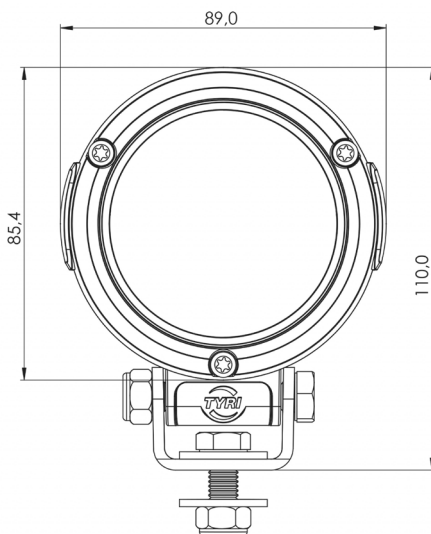
## FEATURES

- Overheating Protection
- Over-voltage Protection
- Polarity Protection

## TEST STANDARDS

- Salt Spray ASTM B117 500 h
- Vibration 5-2000 Hz 3 Axis, 8 Grms
- Shock Tested 50 G 11 ms
- IP69K
- EN55025 / CISPR 25 Class 3 & 5  
ISO7637-2, ISO10605, ISO16750-2,  
EN61000-4-2, EN61000-4-4,  
EN61000-6-3
- ECE R10

For further information visit [www.tyrilights.com](http://www.tyrilights.com) or contact your local sales team.



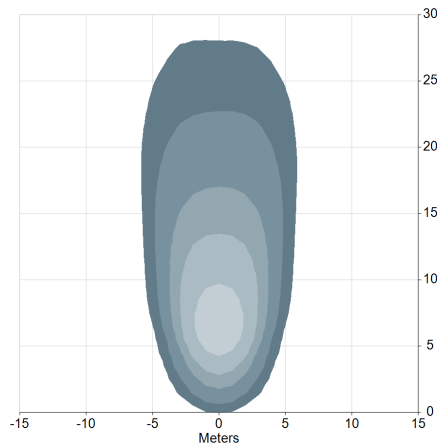


# D8

LIGHT OUTPUT	VOLTAGE		AMP DRAW		POWER	COLOR TEMP	LENS PATTERN	PART NO.	EMC	ECE
	Machine	Operating	12 V	24 V					Watts	K
1,200 eLm	12-48 V	9-60 V	1,1 A	0,6 A	13 W	5,700 K			3	-
1,400 eLm	12 V	9-16 V	1,8 A	-	22 W	5,700 K	Narrow symmetric	PLU-005-1	5	R10
							Medium symmetric	PLU-004-1		
							Wide symmetric	PLU-006-1		
1,400 eLm	24 V	18-32 V	-	0,9 A	22 W	5,700 K	Narrow symmetric	PLU-008-1	5	R10
							Medium symmetric	PLU-007-1		
							Wide symmetric	PLU-009-1		
2,500 eLm	12 V	9-16 V	2,4 A	-	29 W	5,700 K	Narrow symmetric	PLU-011-1	5	-
							Medium symmetric	PLU-010-1		
							Wide symmetric	PLU-012-1		
2,500 eLm	24 V	18-32 V	-	1,4 A	33 W	5,700 K	Narrow symmetric	PLU-015-1	5	-
							Medium symmetric	PLU-013-1		
							Wide symmetric	PLU-014-1		

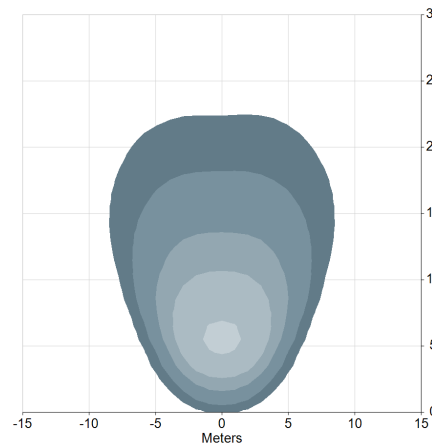
## TYPICAL LIGHT PATTERNS

Example for D8 / 2,500 effective lumen



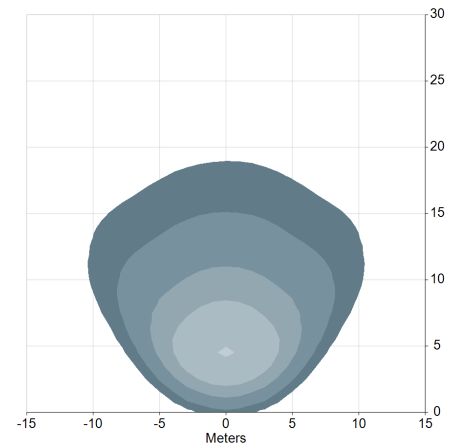
**D8 / 2,500 eLm**

Narrow, 0-30°  
3.0 m / -15°  
Symmetric



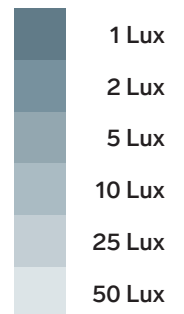
**D8 / 2,500 eLm**

Medium, 31 - 45°  
3.0 m / -15°  
Symmetric



**D8 / 2,500 eLm**

Wide, 45° +  
3.0 m / -15°  
Symmetric



LED work lights are exposed to dirt, fertilizers, road salt, acids and more. For best performance and long lifetime, the lens and the cooling fins must be cleaned on a regular basis.