



1013

The 1013 LED work light features an oval design and provides a cost-effective solution when upgrading from halogen lighting. It is ideal for use on forklift trucks or any vehicle where an oval shape is desired to make it stand out.



TECHNICAL DATA

Housing Material: Cast Aluminium

Mounting Options: Hanging
Standing

Lens Material: Polycarbonate

Temperature range: -40 to +75 °C

Connector: Deutsch (DT04-2P) built in.
Mating part: DT06-2S

Weight: 450 g / 1,0 lb

Light Patterns: Medium Symmetric
Medium Asymmetric
Spot

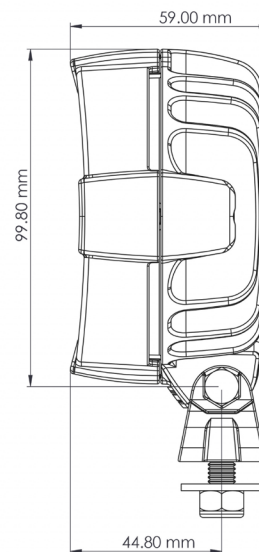
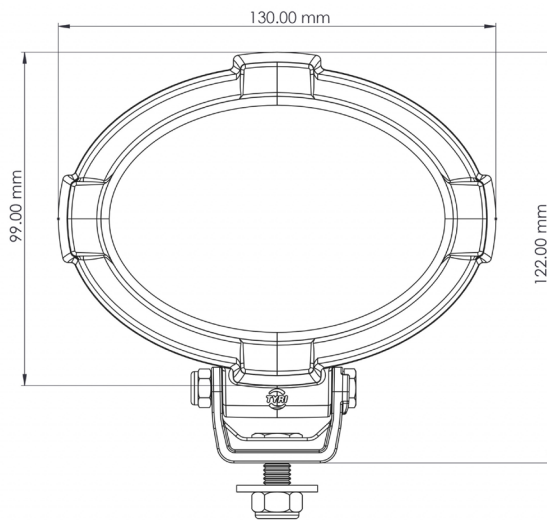
FEATURES

- Overheating Protection
- Over-voltage Protection
- Polarity Protection
- UL Optional

TEST STANDARDS

- Salt Spray ASTM B117 500 h
- Vibration 5-2000 Hz 3 Axis, 10 Grms
- Shock Tested 50 G 11 ms
- IP69K
- EN55025 / CISPR 25 Class 5, ISO7637-2, ISO10605, ISO11452-2, ISO11452-4, ISO16750-2

For further information visit www.tyrilights.com or contact your local sales team.





1013

LIGHT OUTPUT	VOLTAGE		AMP DRAW		POWER	COLOR TEMP	LENS PATTERN	BRACKET / ORIENTATION	PART NO.	EMC
	Machine	Operating	12 V	24 V						
Effective Lumen			12 V	24 V	Watts	K				EN55025 / CISPR25
750 eLm	12-48 V	9-60 V	1,2 A	0,6 A	14 W	5,000 K	Medium Symmetric Medium Symmetric	Hanging Standing	SLU-003-1 SLU-013-1	5
1,400 eLm	12-48 V	9-60 V	1,7 A	0,9 A	21 W	5,000 K	Medium Symmetric Medium Symmetric	Hanging Standing	SLU-004-1 SLU-014-1	5

LED work lights are exposed to dirt, fertilizers, road salt, acids and more. For best performance and long lifetime, the lens and the cooling fins must be cleaned on a regular basis.