



VL4 DIFFUSED

The VL4 Diffused Light Bar boasts the same small streamlined design as the VL4 while using a diffused lens pattern for soft, non-glare light.

Available in white, red, green, blue & amber – which has been proven to reduce bugs being attracted to the light.

Versatile mounting options allow tilting the light where needed.



TECHNICAL DATA

- Housing Material:** Cast Aluminium
- Mounting Options:** Flush, Bracket, Hanging, Standing, Side
- Lens Material:** Polycarbonate
- Temperature range:** -40 to +85 °C
- Connector:** Deutsch (DT04-2P) built in. Mating part: DT06-2S
- Weight:** Flush 336 g / 0.74 lb, Bracket 358 g / 0.79 lb
- Light Patterns:** Diffuse White

FEATURES

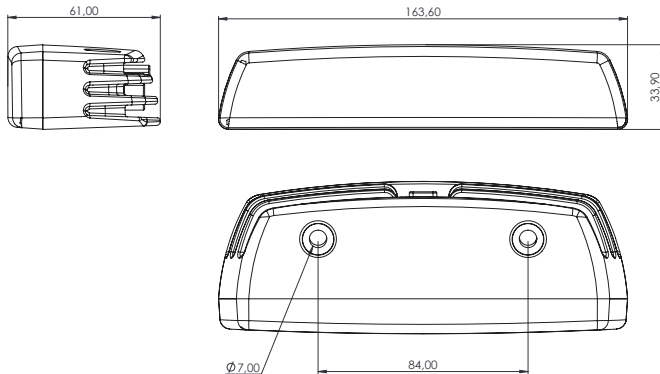
- Overheating Protection
- Over-voltage Protection
- Polarity Protection
- UL Optional

TEST STANDARDS

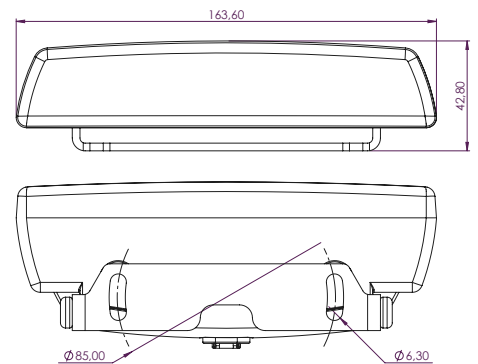
- Salt Spray ASTM B117 500 h
- Vibration 5-2000 Hz 3 Axis, 10 Grms
- Shock Tested 50 G 10 ms
- IP69K
- EN55025 / CISPR 25 Class 3, ISO7637-2, ISO10605, ISO11452-2, ISO11452-4, ISO16750-2

For further information visit www.tyrilights.com or contact your local sales team.

VL4 Flush



VL4 Bracket





VL4 DIFFUSED

| LIGHT OUTPUT | VOLTAGE | | AMP DRAW | | POWER | COLOR TEMP | LENS PATTERN | BRACKET / ORIENTATION | PART NO. | EMC |
|-----------------|---------|-----------|----------|-------|-------|------------|----------------|-----------------------|------------------------|-------------------|
| | Machine | Operating | 12 V | 24 V | Watts | K | | | | |
| Effective Lumen | | | | | | | | | | EN55025 / CISPR25 |
| 500 eLm | 12-48 V | 9-60 V | 0.3 A | 0.6 A | 8 W | 5.700 K | Diffused White | Flush Bracket | VL4-155-1 VL4-154-1 | 3 |
| 800 eLm | 12-48 V | 9-60 V | 1.5 A | 1.0 A | 12 W | 5.700 K | Diffused White | - | - | 3 |

LED work lights are exposed to dirt, fertilizers, road salt, acids and more. For best performance and long lifetime, the lens and the cooling fins must be cleaned on a regular basis.