



V12 LIGHTBAR

Designed for the off road / 4x4 enthusiast, TYRI's modular light bar has a slim design and replaceable lens, making it ideal for the off road environment. This light can be bracket or surface mounted and the end pieces are removable for maximum flexibility in mounting options.

Providing 4,300 effective lumen light output, this stylish and powerful unit will light your way to adventure.

Available with yellow lens, black reflector or as a double option.



TECHNICAL DATA

- Housing Material:** Cast Aluminium
- Mounting Options:** Hanging
Standing
Flush
- Lens Material:** Polycarbonate
- Temperature range:** -40 to +85 °C
- Connector:** Deutsch (DT04-2P) built in.
Mating part: DT06-2S
- Weight:** 1.7 kg / 3.75 lb
- Light Patterns:** Narrow Symmetric

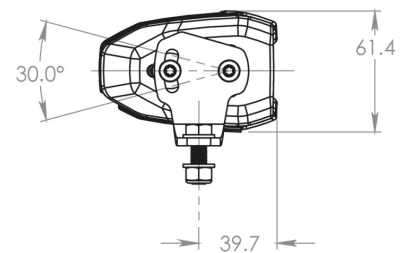
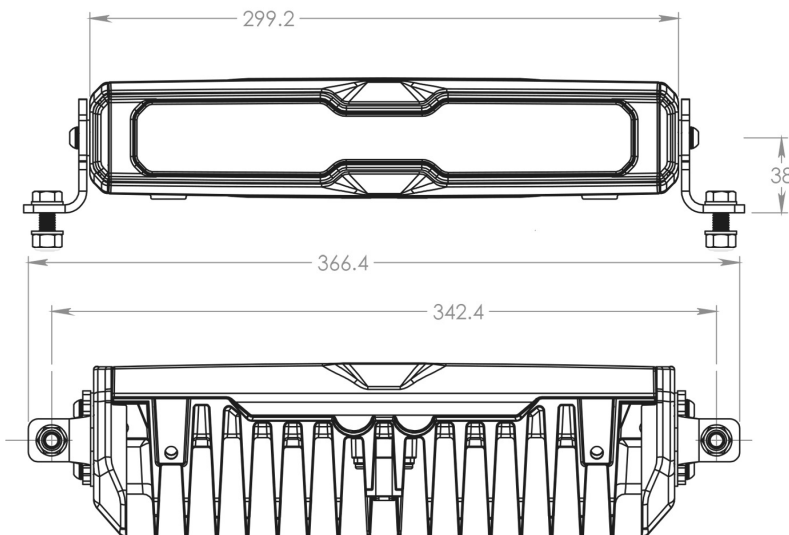
FEATURES

- Overheating Protection
- Over-voltage Protection
- Polarity Protection
- CE - marked

TEST STANDARDS

- TBC
- TBC
- TBC
- IP69K
- EN55025/CISPR 25 Class 5

For further information visit www.tyriLights.com or contact your local sales team.



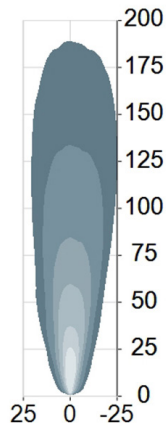


V12 LIGHTBAR

LIGHT OUTPUT	VOLTAGE		AMP DRAW		POWER	COLOUR TEMPERATURE	EMC	ECE
	Machine	Operating	12 V	24 V				
4,300 eLm	12 V	9-16 V	5.8 A	-	70 W	5,700 K	5	-
4,300 eLm	24 V	18-36 V	-	2.9 A	81 W	5,700 K	5	-

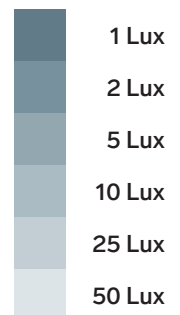
TYPICAL LIGHT PATTERNS

Example for V12 Lightbar / 4,300 effective lumen



V12 Lightbar / 4,300 eLm

Narrow, 0-30°
3.0 m / -15°
Symmetric



LED work lights are exposed to dirt, fertilizers, road salt, acids and more. For best performance and long lifetime, the lens and the cooling fins must be cleaned on a regular basis.