



1010 BLUEBEAM

1010 BlueBeam and RedBeam are powerful spotlights, with a wider beam pattern than the BluePoint and RedPoint. Along with the bright blue colour, the BlueBeam serves a practical purpose, ensuring operators of crop sprayers to have full visibility of the nozzle spray being spread across the fields with its powerful illumination.



Note: the lens of the BlueBeam is clear, the blue light is emitted from LEDs

TECHNICAL DATA

Housing Material:	Cast Aluminium
Mounting Options:	Hanging Standing
Lens Material:	PC
Temperature range:	-40 to +75 °C
Connector:	Deutsch (DT04-2P) built in. Mating part: DT06-2S
Weight:	616 g / 1,36 lb
Light Patterns:	Spot

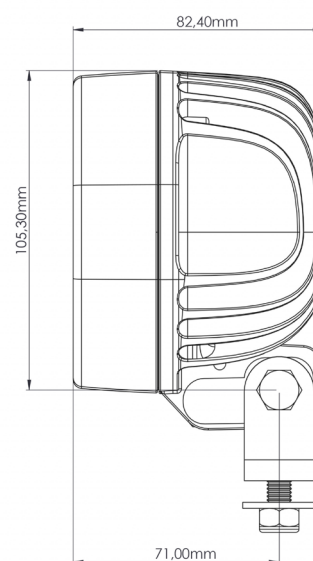
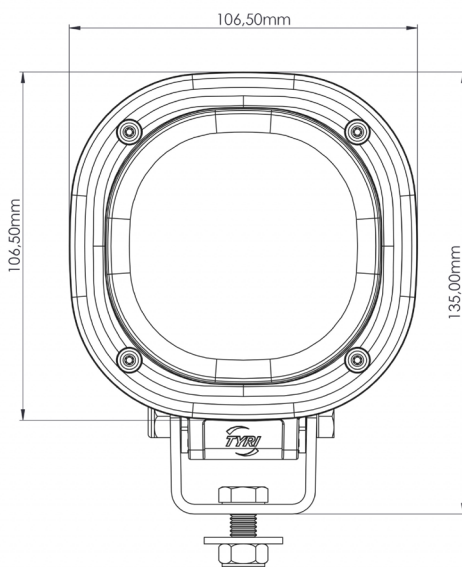
FEATURES

- Overheating Protection
- Over-voltage Protection
- Polarity Protection
- CE - marked
- Dampened

TEST STANDARDS

- Salt Spray ASTM B117 500 h
- Vibration 12-200 Hz 3 Axis, 10 Grms
- Shock Tested 50 G 11 ms
- IP69K
- EN55025 / CISPR 25 Class 5,
ISO 7637-2, ISO 16750-2, ISO 10605,
ISO11452-2, ISO11452-4

For further information visit www.tyriLights.com or contact your local sales team.





1010 BLUEBEAM

LIGHT OUTPUT	VOLTAGE		AMP DRAW		POWER	DOMINANT WAVELENGTH	EMC	ECE
	Machine	Operating	12 V	24 V			EN55025 / CISPR25	ECE Rating
Candela 10,000 cd	12-48 V	9-60 V	1,2 A	0,6 A	Watts 15 W	nm 475 nm	5	-

IEC/SS-EN 62471 | RISK GROUP 2

**CAUTION: Possibly hazardous optical radiation emitted from this product.
Do not stare at operating lamp. May be harmful to the eye.**

It is important to remember, LED work lights are no more hazardous than other lighting technologies with the same correlated colour temperature (CCT).

TYRI complies with the IEC/SS-EN 62471 standard with the addition of the warning label on the product.

LED work lights are exposed to dirt, fertilizers, road salt, acids and more. For best performance and long lifetime, the lens and the cooling fins must be cleaned on a regular basis.