



1010 FLUSH DIFFUSED

The 1010 Flush has no cooling flanges and must be directly mounted on the surface of the vehicle where the metal of the machine is used to create a cooling effect for the light emitting diodes. Thanks to the flush design it is a perfect choice for confined spaces.



TECHNICAL DATA

Housing Material:	Cast Aluminium
Mounting Options:	Flush
Lens Material:	Polycarbonate & Grillamid
Temperature range:	-
Connector:	Deutsch (DT04-2P) built in Mating part: DT06-2S
Weight:	413 g / 0,91 lb
Light Patterns:	Diffused

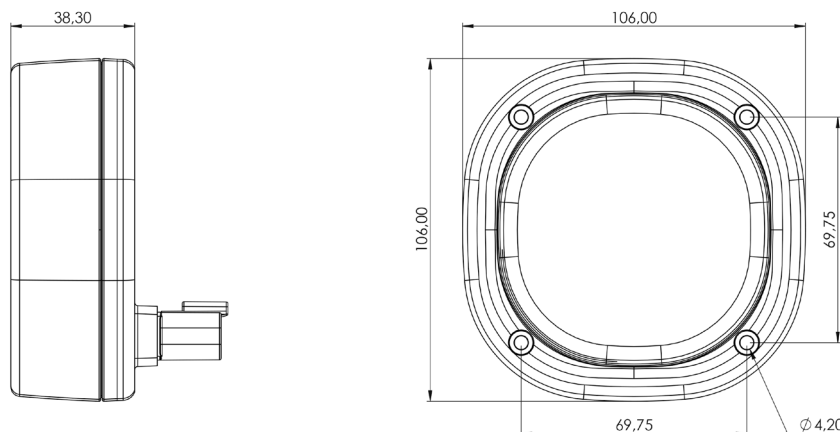
FEATURES

- Overheating Protection
- Over-voltage Protection
- Polarity Protection
- CE - marked

TEST STANDARDS

-
- Vibration 5-2000 Hz 3 Axis, 8 Grms
- Shock Tested 50 G 10 ms
- IP69K
- EMC EN55025 / CISPR 25 Class 5
ISO7637-2, ISO16750-2,
ISO10605, ISO11452-2,
ISO10452-4, EN61000-4-2,
EN61000-4-3
- ECE R10

For further information visit www.tyriLights.com or contact your local sales team.





1010 FLUSH DIFFUSED

LIGHT OUTPUT	VOLTAGE		AMP DRAW		POWER	COLOUR TEMPERATURE	EMC	ECE
	Machine	Operating	12 V	24 V			Watts	K
600 eLm	12-48 V	9-60 V	1,3 A	0,6 A	15 W	5,700 K	5	R10
1,450 eLm	12-48 V	9-60 V	2,4 A	1,2 A	29 W	5,700 K	5	R10

LED work lights are exposed to dirt, fertilizers, road salt, acids and more. For best performance and long lifetime, the lens and the cooling fins must be cleaned on a regular basis.