



# 0909

The 0909 has many different lumen output and operating ranges available and with a colour temperature of 5,700 K. Also available as an E-approved rated model for trucks and trailers.



## TECHNICAL DATA

- Housing Material:** Cast Aluminium
- Mounting Options:** Hanging  
Standing
- Lens Material:** PC
- Temperature range:** -40 to +85 °C
- Connector:** Deutsch (DT04-2P) built in.  
Mating part: DT06-2S
- Weight:** 616 g / 1.36 lb
- Light Patterns:** Narrow Symmetric  
Medium Symmetric  
Wide Symmetric  
Medium Asymmetric

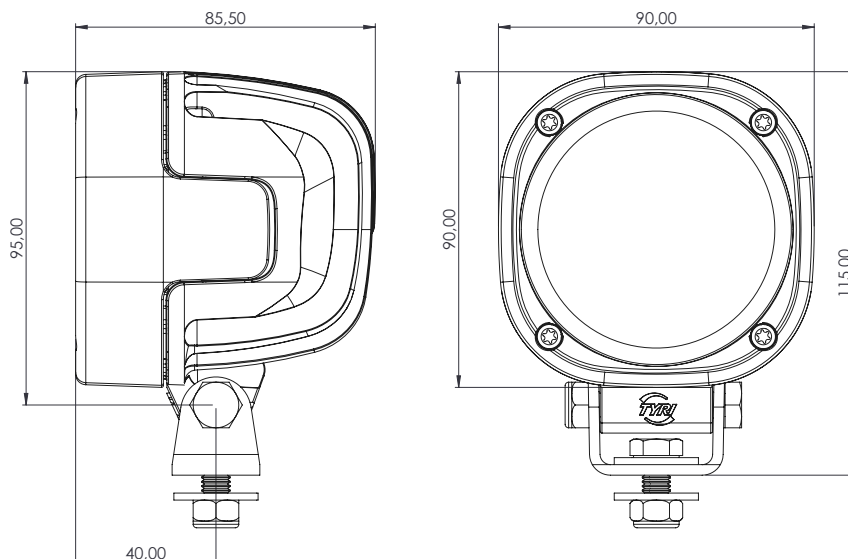
## FEATURES

- Overheating Protection
- Over-voltage Protection
- Polarity Protection
- CE - marked

## TEST STANDARDS

- Salt Spray ASTM B117 500 h
- Vibration 5-2000 Hz 3 Axis, 8 Grms
- Shock Tested 50 G 10 ms
- IP69K
- EN55025 / CISPR 25 Class 2,3& 5, ISO7637-2, ISO10605, ISO16750-2, ISO11452-2, ISO11452-4, EN55015, EN61000-4-2, EN61000-4-4, EN61000-6-2, EN61000-6-3
- R10 & R23

For further information visit [www.tyrilights.com](http://www.tyrilights.com) or contact your local sales team.





# 0909

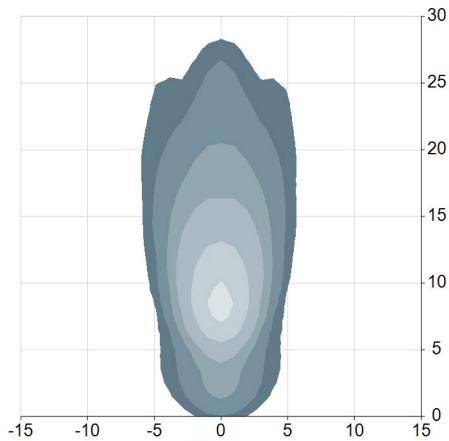
LIGHT OUTPUT	VOLTAGE		AMP DRAW		POWER	COLOUR TEMPERATURE	EMC	ECE
	Machine	Operating	12 V	24 V				
700 eLm	12 V	9-16 V	0,9 A	-	13 W	5,700 K	5	-
700 eLm	24 V	18-32 V	-	0,5 A	14 W	5,700 K	5	-
1,100 eLm	12 V	9-16 V	1,0 A	-	14 W	5,700 K	5	-
1,100 eLm	24 V	18-32 V	-	0,5 A	14 W	5,700 K	5	-
1,400 eLm	12 V	9-16 V	1,3 A	-	18 W	5,700 K	5	R10 & R23
1,400 eLm	24 V	18-32 V	-	0,7 A	20 W	5,700 K	5	R10 & R23
1,400 eLm	12-24 V	9-32 V	1,3 A	0,7 A	18 W	5,700 K	5	R10
1,400 eLm	12-80 V	9-108 V	1,3 A	0,6 A	17 W	5,700 K	3	-
1,800 eLm	12 V	9-16 V	1,8 A	-	25 W	5,700 K	5	R10
1,800 eLm	24 V	18-32 V	-	0,9 A	25 W	5,700 K	5	R10
1,800 eLm	12-24 V	9-32 V	1,7 A	0,9 A	23 W	5,700 K	5	R10
2,000 eLm	12 V	9-16 V	2,1 A	-	29 W	5,700 K	5	-
2,000 eLm	24 V	18-32 V	-	1,1 A	31 W	5,700 K	5	-
2,500 eLm	12 V	9-16 V	2,4 A	-	34 W	5,700 K	5	-
2,500 eLm	24 V	18-32 V	-	1,4 A	39 W	5,700 K	5	-
2,800 eLm	12 V	9-16 V	2,8 A	-	39 W	5,700 K	5	-
2,800 eLm	24 V	18-32 V	-	1,4 A	39 W	5,700 K	5	-



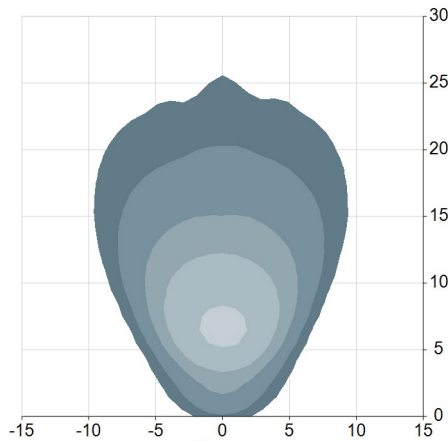
# 0909

## TYPICAL LIGHT PATTERNS

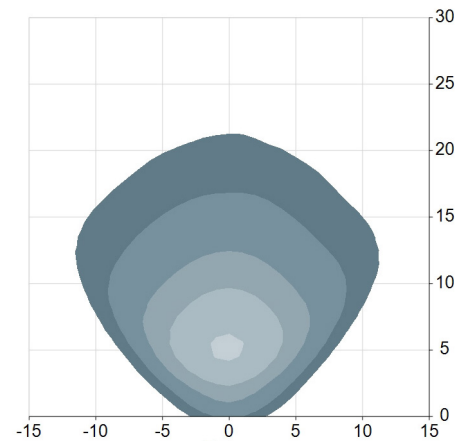
Example for 0909 / 2,800 effective lumen



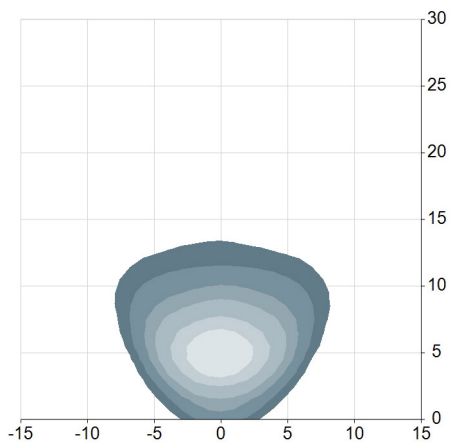
**0909 / 2,800 eLm**  
Narrow, 0-30°  
3.0 m / -15°  
Symmetric



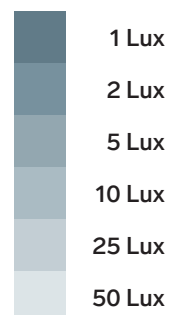
**0909 / 2,800 eLm**  
Medium, 31 - 45°  
3.0 m / -15°  
Symmetric



**0909 / 2,800 eLm**  
Wide, 45° +  
3.0 m / -15°  
Symmetric



**0909 / 2,800 eLm**  
Medium, 31 - 45°  
3.0 m / -15°  
Asymmetric



LED work lights are exposed to dirt, fertilizers, road salt, acids and more. For best performance and long lifetime, the lens and the cooling fins must be cleaned on a regular basis.