



1010 WITH TURN MARKER

This all in one unit houses a 1010 and a turn signal marker. It is highly adaptable and provides a professional lighting solution. This solution can be used with any 1010 Curve work light from 750 to 2,500 effective lumen options.



1010 with Turn Marker comes in two versions; Turn Marker with Amber LEDs or with Amber Lens

TECHNICAL DATA

- Housing Material:** Cast Aluminium
- Mounting Options:** Hanging
Standing
- Lens Material:** Polycarbonate
- Temperature range:** -40 to +85 °C
- Connector:** Deutsch (DT04-2P) built in
Deutsch (DT04-4P) built in
- Weight:** 1,3 g / 2,87 lbs
- Light Patterns:** Narrow Symmetric
Medium Symmetric
Wide Symmetric
Medium Asymmetric
Wide Asymmetric

FEATURES

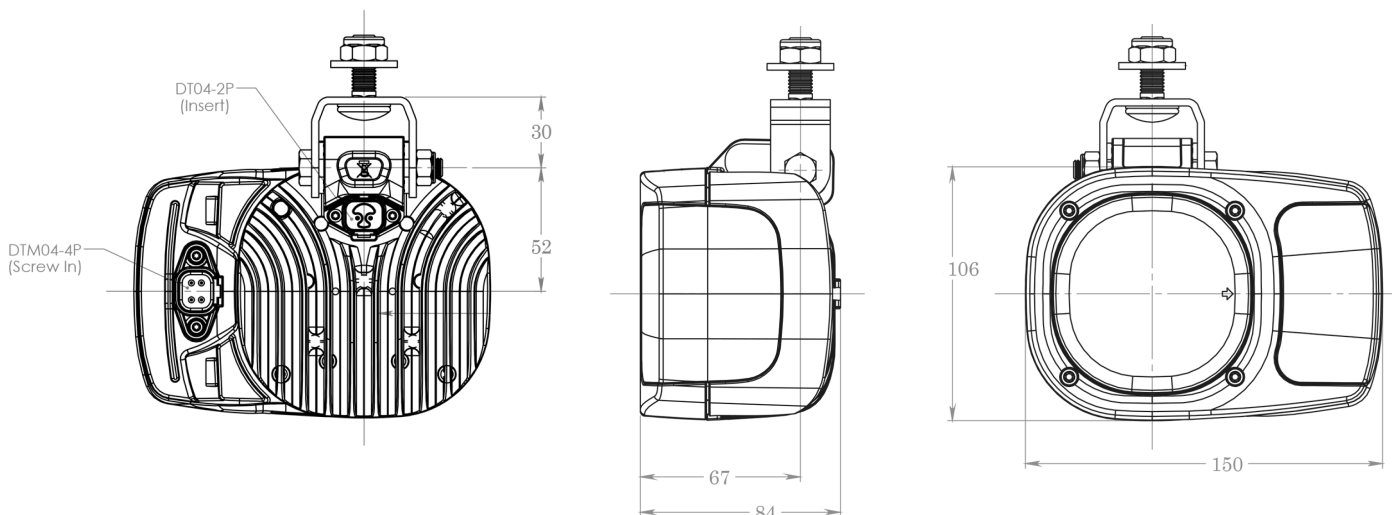
- Overheating Protection
- Over-voltage Protection
- Polarity Protection
- CE - marked
- Dampened

Indicator/Blinker controlled by external relay.

TEST STANDARDS

- Salt Spray ASTM B117 500 h
- Vibration 5-2000 Hz 3 Axis, 10 Grms
- Shock Tested 50 G 11 ms
- IP69K
- EN55025 / CISPR 25 Class 5
ISO 11452-2 / ISO 11452-4 /
ISO 16750-2 / ISO 10605 /
ISO 7637-2
- R10

For further information visit www.tyriights.com or contact your local sales team.





1010 WITH TURN MARKER

1010 - MAIN LIGHT

LIGHT OUTPUT	VOLTAGE		AMP DRAW		POWER	COLOUR TEMPERATURE	EMC	ECE
	Machine	Operating	12 V	24 V				
Effective Lumen	Machine	Operating	12 V	24 V	Watts	K	EN55025 / CISPR25	ECE Rating
750 eLm	12 V	9-16 V	0,8 A	-	10 W	5,700 K	5	-
850 eLm	12-48 V	9-60 V	1,4 A	0,7 A	17 W	5,700 K	5	R10
1,100 eLm	12 V	9-16 V	1,2 A	-	14 W	5,700 K	5	-
1,400 eLm	12 V	9-16 V	1,8 A	-	22 W	5,700 K	5	-
1,400 eLm	24 V	18-32 V	-	0,9 A	22 W	5,700 K	5	-
1,400 eLm	12-48 V	9-60 V	2,5 A	1,3 A	30 W	5,700 K	5	-
1,800 eLm	12-80 V	9-108 V	2,0 A	0,9 A	22 W	5,700 K	5	-
1,850 eLm	12 V	9-16 V	2,3 A	-	29 W	5,700 K	5	-
1,850 eLm	24 V	18-32 V	-	1,2 A	29 W	5,700 K	5	-
1,900 eLm	12-48 V	9-60 V	2,5 A	1,3 A	30 W	5,700 K	5	R10
2,500 eLm	12 V	9-16 V	1,9 A	-	23 W	5,700 K	5	-
2,500 eLm	24 V	18-32 V	-	1,1 A	26 W	5,700 K	5	-

TURN MARKER

LIGHT OUTPUT	VOLTAGE		AMP DRAW		POWER	COLOUR TEMPERATURE	EMC	ECE
	Machine	Operating	12 V	24 V				
Effective Lumen	Machine	Operating	12 V	24 V	Watts		EN55025 / CISPR25	ECE Rating
-	12 V	9-16 V	0,2 A	-	5 W	Amber	-	-
-	12-48 V	9-60 V	0,3 A	0,1 A	3 W	Amber	-	-

LED work lights are exposed to dirt, fertilizers, road salt, acids and more. For best performance and long lifetime, the lens and the cooling fins must be cleaned on a regular basis.