



D8 SWIVEL REDPOINT

D8 Swivel Redpoint increases safety and minimises the risk of accidents around machinery. It allows safety to be visual instead of relying solely on sirens and alarms. The D8 Swivel Redpoint projects a light beam as a concentrated, visible square on the floor in front or behind the machine.

This warning light is also available as a standard work light, allowing you to match your machine lighting for a unified design.



Note: the lens of the Redpoint is clear, the red light is emitted from LEDs

TECHNICAL DATA

Housing Material:	Cast Aluminium
Mounting Options:	Hanging Standing
Lens Material:	Polycarbonate
Temperature range:	-40 to +85 °C
Connector:	Deutsch (DT04-2P) built in. Mating part: DT06-2S
Weight:	525 g / 1,16 lb
Light Patterns:	Spot

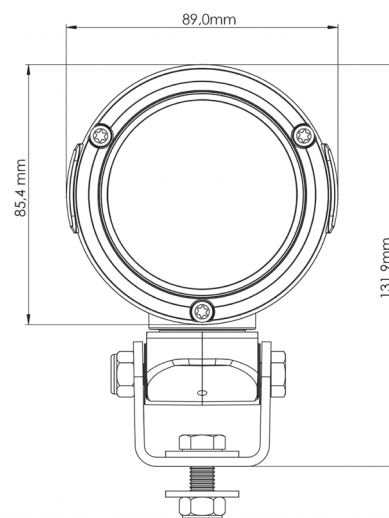
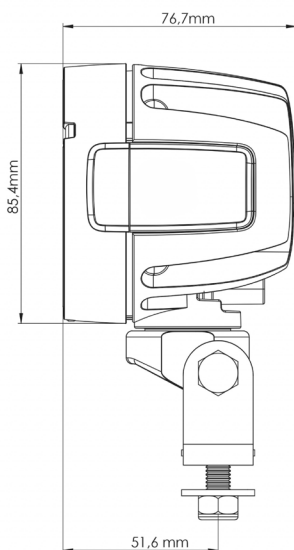
FEATURES

- Overheating Protection
- Over-voltage Protection
- Polarity Protection
- CE - marked

TEST STANDARDS

- Salt Spray ASTM B117 48 h
- Vibration 12-200 Hz 3 Axis, 8 grms
- Shock Tested 50 G 10 ms
- IP69K
- EN55025 / CISPR 25 Class 3,
ISO 7637-2, ISO 16750-2, ISO 10605,
EN610000-4-2, EN610000-4-3,
EN610000-4-4, EN610000-6-3

For further information visit www.tyriLights.com or contact your local sales team.





D8 SWIVEL REDPOINT

LIGHT OUTPUT	VOLTAGE		AMP DRAW		POWER	DOMINANT WAVELENGTH	EMC	ECE
	Machine	Operating	12 V	24 V			EN55025 / CISPR25	ECE Rating
Candela			12 V	24 V	Watts	nm		
25,000 cd	12-48 V	9-60 V	0,9 A	0,5 A	15 W	630 nm	3	-

LED work lights are exposed to dirt, fertilizers, road salt, acids and more. For best performance and long lifetime, the lens and the cooling fins must be cleaned on a regular basis.