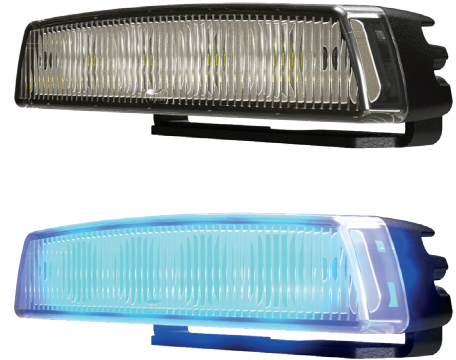




VL4 BLUELINE

The VL4 BlueLine shows a visible blue safety barrier to make pedestrians aware of the danger zone. When mounted at a height of 2 m, the BlueLine projects a 3 m long intensive blue line on the ground along the side of the machine as a visual barrier for pedestrians or other machinery.



Note: the lens of the BlueLine is clear, the blue light is emitted from LEDs

TECHNICAL DATA

- Housing Material:** Cast Aluminium
- Mounting Options:** Standing
Hanging
- Lens Material:** Polycarbonate
- Temperature range:** -40 to +85 °C
- Connector:** Deutsch (DT04-2P)
built in.
Mating part: DT06-2S
- Weight:** 435 kg / 0.96 lb
- Light Patterns:** Line

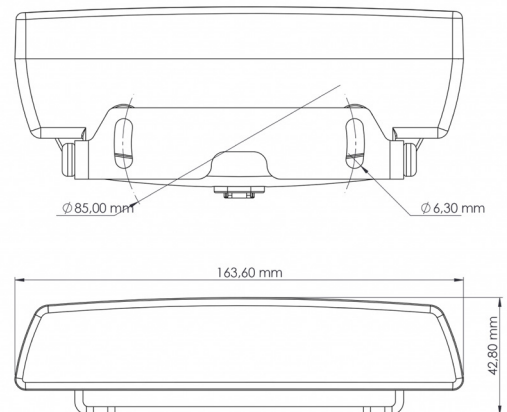
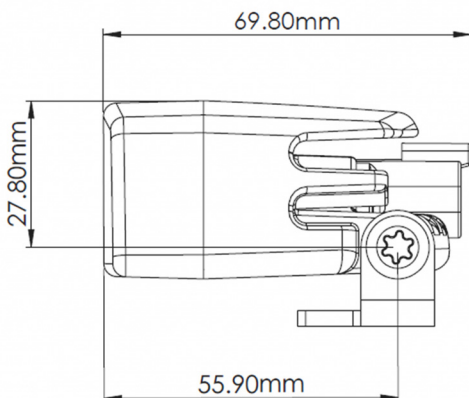
FEATURES

- Overheating Protection
- Over-voltage Protection
- Polarity Protection
- CE - marked

TEST STANDARDS

- Salt Spray ASTM B117 48 h
- Vibration 5-2000 Hz 3 Axis, 10 Grms
- Shock Tested 50 G 10 ms
- IP69K
- EN55025 / CISPR 25 Class 3,
ISO11452-2, EN61000-6-2

For further information visit www.tyrilights.com or contact your local sales team.





VL4 BLUELINE

| LIGHT OUTPUT | VOLTAGE | | AMP DRAW | | POWER | DOMINANT WAVELENGTH | EMC | ECE |
|--------------|---------|-----------|----------|-------|-------|---------------------|-------------------|------------|
| | Machine | Operating | 12 V | 24 V | | | EN55025 / CISPR25 | ECE Rating |
| Candela | | | 12 V | 24 V | Watts | nm | | |
| 1,500 cd | 12-48 V | 9-60 V | 1.2 A | 0.6 A | 15 W | 475 nm | 3 | - |

IEC/SS-EN 62471 | RISK GROUP 2

CAUTION: Possibly hazardous optical radiation emitted from this product.
Do not stare at operating lamp. May be harmful to the eye.

It is important to remember, LED work lights are no more hazardous than other lighting technologies with the same correlated colour temperature (CCT).

TYRI complies with the IEC/SS-EN 62471 standard with the addition of the warning label on the product.

LED work lights are exposed to dirt, fertilizers, road salt, acids and more. For best performance and long lifetime, the lens and the cooling fins must be cleaned on a regular basis.