



VL4

The VL4, with its stylish streamline design and small dimensions, is used on Forklift Trucks, Utility Vehicles, Ambulances, ATVs, UTVs and as an entrance light on Construction Machines.

The VL4 is also a great option as a compact reverse light. Approved to ECE R148, this practical work light can be installed low on the rear of vehicles to improve operator vision and safety, where a conventional work light may get damaged due to impacting into curbs and other obstructions. Ideal for on road applications such as Service Vehicles, Rescue Vehicles, Truck and Trailers and Municipal Vehicles.

It is available with a thru-bolt (flush mounted) or bracket mount.



TECHNICAL DATA

- Housing Material:** Cast Aluminium
- Mounting Options:** Flush, Bracket, Hanging, Standing, Side
- Lens Material:** Polycarbonate
- Temperature range:** -40 to +85 °C
- Connector:** Deutsch (DT04-2P) built in. Mating part: DT06-2S
- Weight:** Flush 336 g / 0.74 lb, Bracket 358 g / 0.79 lb
- Light Patterns:** Medium Symmetric, Wide Symmetric, Wide Asymmetric, High beam

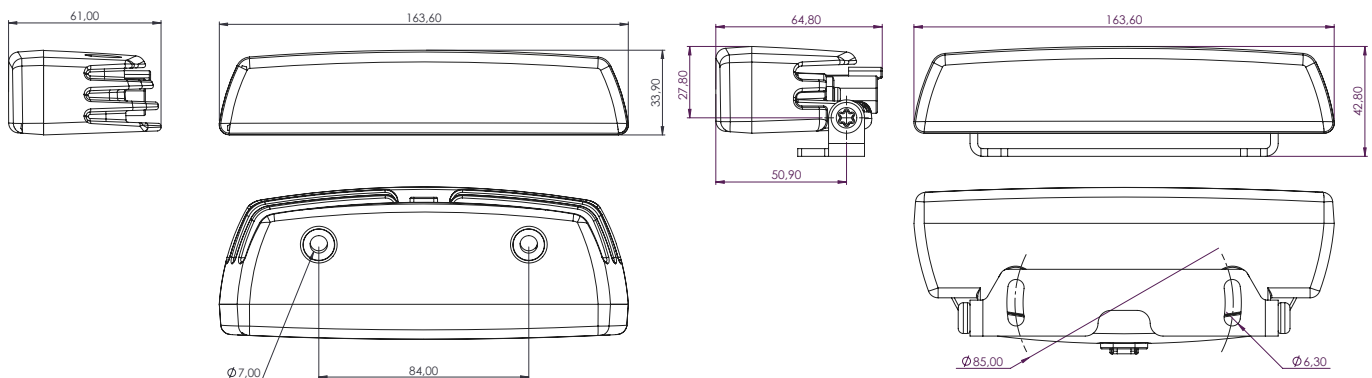
FEATURES

- Overheating Protection
- Over-voltage Protection
- Polarity Protection
- UL Optional

TEST STANDARDS

- Salt Spray ASTM B117 500 h
- Vibration 5-2000 Hz 3 Axis, 10 Grms
- Shock Tested 50 G 10 ms
- IP69K
- EMC EN55025 / CISPR 25 Class 3-5, ISO7637-2, ISO10605, ISO11452-2, ISO11452-4, ISO16750-2
- ECE R10 & R148 (R23)

For further information visit www.tyriLights.com or contact your local sales team.





VL4

LIGHT OUTPUT	VOLTAGE		AMP DRAW		POWER	COLOR TEMP	LENS PATTERN	BRACKET/ ORIENTATION	PART NO.	EMC	ECE
	Machine	Operating	12 V	24 V						Watts	K
600 eLm	12-48 V	9-60 V	1.2 A	0.6 A	15 W	5.700 K	Wide Symmetric	Flush	VL4-106-1	3	R10
							Wide Asymmetric	Flush	VL4-107-1		
							High beam	Flush	VL4-133-1		
							Wide Symmetric	Bracket	VL4-104-1		
							Wide Asymmetric	Bracket	VL4-105-1		
High beam	Bracket	VL4-132-1									
1.000 eLm	12 V	9-16 V	1.5 A	-	18 W	5.000 K	Medium Symmetric	Bracket	VL4-208-1	5	R10 & R148
1.100 eLm	12-48 V	9-60 V	1.1 A	0.6 A	13 W	5.700 K				3	-
1.400 eLm	12-48 V	9-60 V	1.3 A	0.7 A	15 W	5.700 K				3	-
2.000 eLm	12-48 V	9-60 V	2.0 A	1.0 A	24 W	5.700 K	Wide Symmetric	Flush	VL4-125-1	3	-
							Wide Asymmetric	Flush	VL4-131-1		
							High beam	Flush	VL4-139-1		
							Wide Symmetric	Bracket	VL4-124-1		
							Wide Asymmetric	Bracket	VL4-130-1		
High beam	Bracket	VL4-138-1									

LED work lights are exposed to dirt, fertilizers, road salt, acids and more. For best performance and long lifetime, the lens and the cooling fins must be cleaned on a regular basis.