

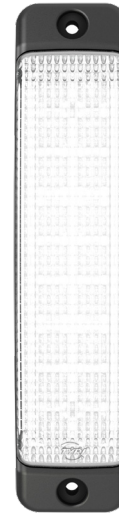


0522A

STOP, TAIL, TURN & BACK UP LIGHT

Available with red, yellow, and white LEDs or all white LEDs, the “thru bolt” design allows this light to be mounted in various locations on machines. The 0522A model is also available with an all-white LED option, which is perfect for dome light applications.

This LED light is UL approved.



TECHNICAL DATA

- Housing Material:** PC
- Mounting Options:** Flush
- Lens Material:** PC
- Temperature range:** -40 to +75 °C
- Connector:** Bare wires

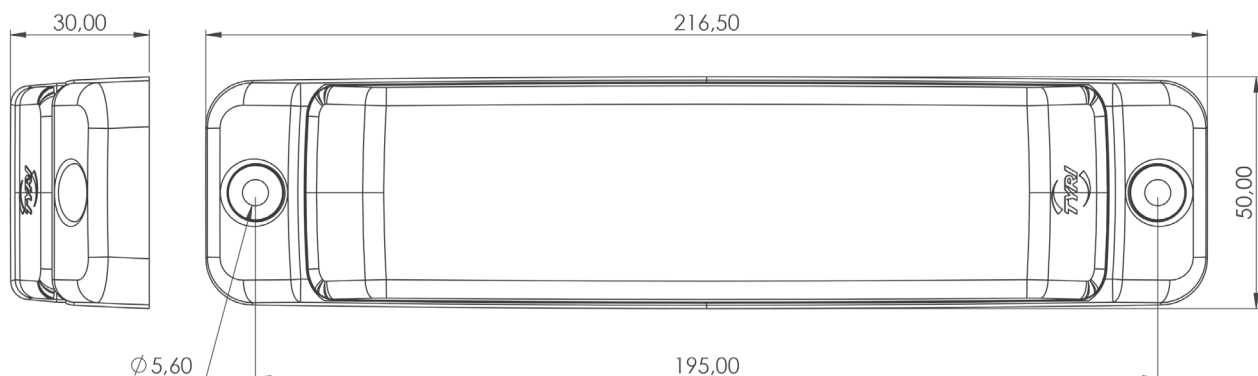
FEATURES

- Overheating Protection
- Over-voltage Protection
- Polarity Protection
- UL Optional

TEST STANDARDS

- IP69K
- EN55025 / CISPR 25 Class 5
ISO 11452-2 / ISO 11452-4
ISO 16750-2 / ISO 10605
ISO 7637-2

For further information visit www.tyriLights.com or contact your local sales team.





0522A

**STOP, TAIL, TURN
& BACK UP LIGHT**

LED COLOR	VOLTAGE		AMP DRAW		POWER	PART NO.	EMC	ECE
	Machine	Operating	12 V	24 V	Watts		EN55025 / CISPR25	ECE Rating
6 Red / 6 Amber / 6 White	12 V	9-16 V	0,12 A (stop)		1,4 W (stop)	60-007-1	5	-
			0,03 A (tail)	- A	0,4 W (tail)			
			0,13 A (turn)		1,6 W (turn)			
			0,09 A (reverse)		1,1 W (reverse)			
18 White	12 V	9-16 V						
6 Red / 6 Amber / 6 White	12-80 V	9-108 V	0,1 A (stop)	0,05 A (stop)	1,2 W (stop)	60-023-1	5	-
			0,08 A (tail)	0,04 A (tail)	1,0 W (tail)			
			0,16 A (turn)	0,08 A (turn)	1,9 W (turn)			
			0,18 A (reverse)	0,09 A (reverse)	2,2 W (reverse)			
18 White	12-80 V	9-108 V						

LED work lights are exposed to dirt, fertilizers, road salt, acids and more. For best performance and long lifetime, the lens and the cooling fins must be cleaned on a regular basis.