



1323 AC

This is the AC version of the 1323 delivering a massive 16.500 effective lumen output. The curved design and mounting options of 60° trunion mount ensure this work light is suitable for multiple applications and installation choices.

This light is available with a twin bracket for dual mounting, doubling the light output in any working area and a color temperature of 4.000 K.



TECHNICAL DATA

- Housing Material:** Cast Aluminium
- Mounting Options:** Hanging
Standing
- Lens Material:** Grillamid & Glasscoated
- Temperature range:** -40 to +60 °C
- Connector:** Flying wires (1.5m)
- Weight:** 7.2 kg / 15,9 lb
- Light Patterns:** Medium Symmetric
Wide Symmetric

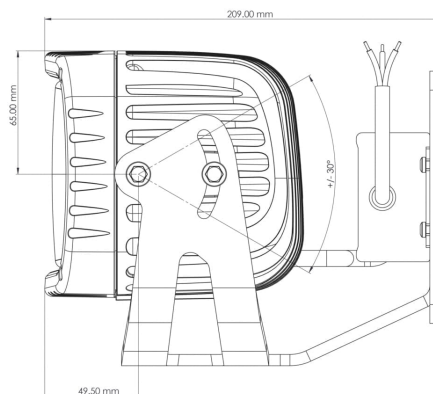
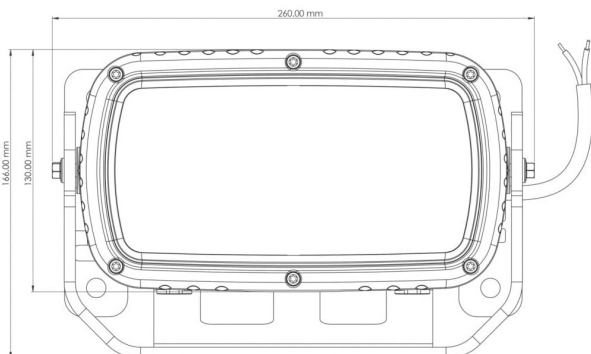
FEATURES

- Overheating Protection
- Over-voltage Protection
- Polarity Protection

TEST STANDARDS

- Salt Spray ASTM B117 500 h
- Vibration 5-2000 Hz 3 Axis, 10 Grms
- Shock Tested 50 G 11 ms
- IP67
- EMC EN55015,
EN61000-6-2,
EN61000-6-3

For further information visit www.tyrilights.com or contact your local sales team.



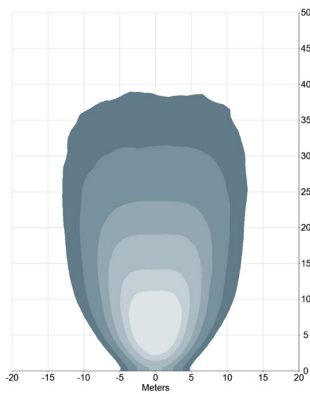


1323 AC

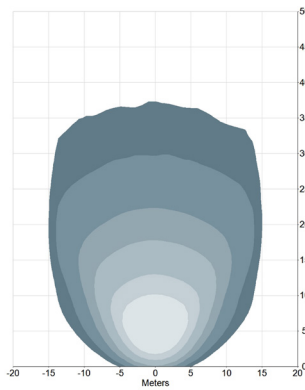
LIGHT OUTPUT	VOLTAGE		AMP DRAW		POWER	COLOR TEMP	LENS PATTERN	PART NO.	EMC
	Machine	Operating	120 V /60Hz	240 V /60Hz	Watts	K			
Effective Lumen	100-277 V nominal / 47-63 Hz	110-305 V	-	-	170 W	4,000 K	Medium Symmetric	JLU-002-1	EN55025 / CISPR25 EN55015, EN61000-6-2, EN61000-6-3

TYPICAL LIGHT PATTERNS

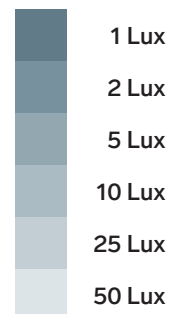
Example for 1323 AC / 16,500 effective lumen.



1323 AC / 16,500 eLm
Medium, 31 - 45°
3.0 m / -15°
Symmetric



1323 AC / 16,500 eLm
Wide, 45° +
3.0 m / -15°
Symmetric



LED work lights are exposed to dirt, fertilizers, road salt, acids and more. For best performance and long lifetime, the lens and the cooling fins must be cleaned on a regular basis.