



# 1010 RECESS

This work light has a unique mounting option which makes recessing the light into the vehicle possible. The 1010 Recess, with 2,500 effective lumen, can be incorporated in a closed housing unit and, due to its technical features, the cooling of the rear flanges is not required.



## TECHNICAL DATA

- Housing Material:** Cast Aluminium
- Mounting Options:** Recessed
- Lens Material:** PC & Grilamid
- Temperature range:** -40 to +75 °C
- Connector:** Deutsch (DT04-2P) built in.  
Mating part: DT06-2S
- Weight:** 1.05 kg / 2,33 lb
- Light Patterns:** Narrow Symmetric  
Medium Symmetric  
Wide Symmetric  
Medium Asymmetric  
Wide Asymmetric

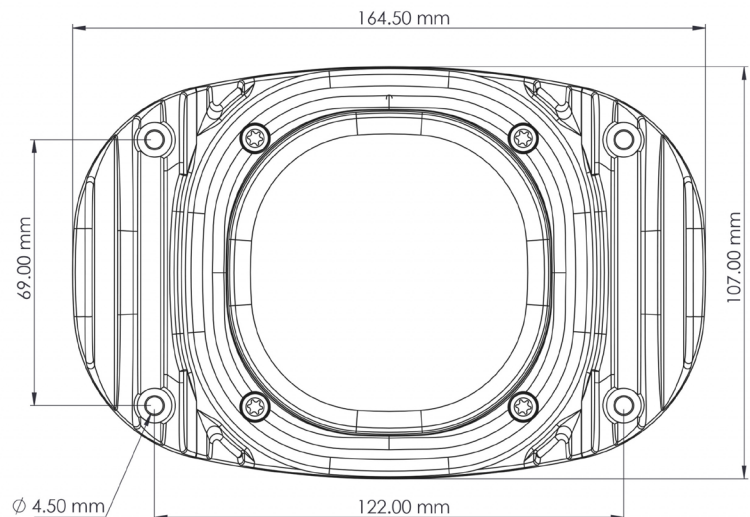
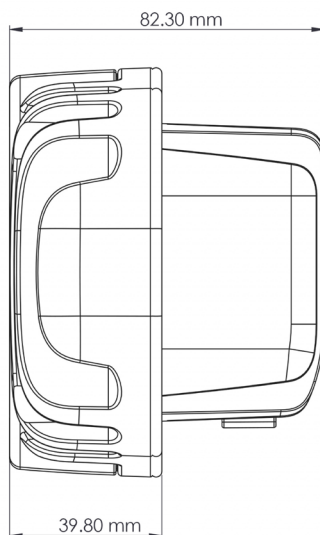
## FEATURES

- Overheating Protection
- Over-voltage Protection
- Polarity Protection
- CE - marked

## TEST STANDARDS

- Salt Spray ASTM B117 500 h
- Vibration 5-2000 Hz 3 Axis, 10 Grms
- Shock Tested 50 G 11 ms
- IP69K
- EN55025 / CISPR 25 Class 5, ISO7637-2, ISO10605, ISO11452-2, ISO11452-4, ISO16750-2

For further information visit [www.tyrilights.com](http://www.tyrilights.com) or contact your local sales team.





# 1010 RECESS

| LIGHT OUTPUT | VOLTAGE |           | AMP DRAW |       | POWER | COLOUR TEMPERATURE | EMC | ECE |
|--------------|---------|-----------|----------|-------|-------|--------------------|-----|-----|
|              | Machine | Operating | 12 V     | 24 V  |       |                    |     |     |
| 850 eLm      | 12-48 V | 9-60 V    | 1,4 A    | 0,7 A | 17 W  | 5,700 K            | 5   | -   |
| 1,400 eLm    | 12-48 V | 9-60 V    | 1,5 A    | 0,8 A | 19 W  | 5,700 K            | 5   | -   |
| 1,900 eLm    | 12-48 V | 9-60 V    | 2,4 A    | 1,2 A | 29 W  | 5,700 K            | 5   | -   |
| 2,500 eLm    | 12 V    | 9-18 V    | 1,8 A    | - A   | 22 W  | 5,700 K            | 5   | -   |
| 2,500 eLm    | 24 V    | 18-32 V   | -        | 1,0 A | 24 W  | 5,700 K            | 5   | -   |

LED work lights are exposed to dirt, fertilizers, road salt, acids and more. For best performance and long lifetime, the lens and the cooling fins must be cleaned on a regular basis.