



D8 BLUEPOINT



Note: the lens of the Bluepoint is clear, the blue light is emitted from LEDs

The D8 Bluepoint is designed to enhance safety and reduce the risk of accidents near machinery. It provides a visual safety indication in addition to sirens and alarms. By projecting a concentrated square light beam on the floor in front of or behind the machine, the D8 Bluepoint serves as a warning light.

It is also available as a standard work light, allowing you to match your machine lighting for a cohesive design.

TECHNICAL DATA

- Housing Material:** Cast Aluminium
- Mounting Options:** Hanging
Standing
- Lens Material:** Polycarbonate
- Temperature range:** -40 to +85 °C
- Connector:** Deutsch (DT04-2P) built in.
Mating part: DT06-2S
- Weight:** 525 g / 1,16 lb
- Light Patterns:** Spot

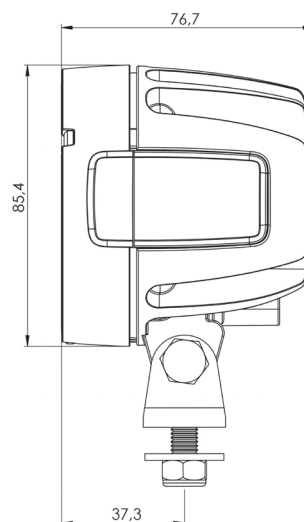
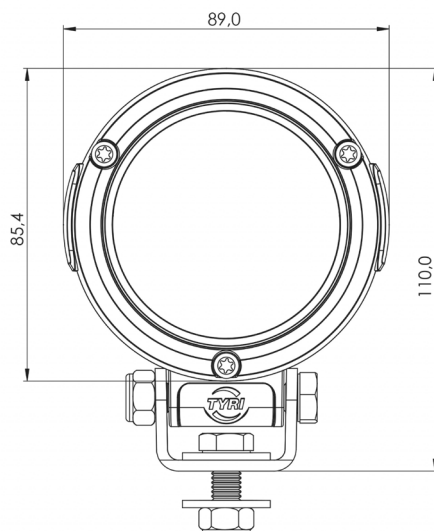
FEATURES

- Overheating Protection
- Over-voltage Protection
- Polarity Protection

TEST STANDARDS

- Salt Spray ASTM B117 500 h
- Vibration 5-2000 Hz 3 Axis, 8 Grms
- Shock Tested 50 G 11 ms
- IP69K
- EN55025 / CISPR 25 Class 3, ISO 7637-2, ISO 16750-2, ISO 10605, EN610000-4-2, EN610000-4-3, EN610000-4-4, EN610000-6-3

For further information visit www.tyrilights.com or contact your local sales team.





D8 BLUEPOINT

| LIGHT INTENSITY | VOLTAGE | | AMP DRAW | | POWER | DOMINANT WAVELENGTH | LENS PATTERN | PART NO. | EMC | ECE |
|-----------------|---------|---------|-----------|-------|-------|---------------------|--------------|-----------|-------------------|------------|
| | Candela | Machine | Operating | 12 V | 24 V | Watts | nm | | EN55025 / CISPR25 | ECE Rating |
| 20,000 cd | 12-48 V | 9-60 V | 1,1 A | 0,6 A | 15 W | 475 nm | Spot | PLU-019-1 | 3 | - |

IEC/SS-EN 62471 | RISK GROUP 2

CAUTION: Possibly hazardous optical radiation emitted from this product.
Do not stare at operating lamp. May be harmful to the eye.

It is important to remember, LED work lights are no more hazardous than other lighting technologies with the same correlated colour temperature (CCT).

TYRI complies with the IEC/SS-EN 62471 standard with the addition of the warning label on the product.

LED work lights are exposed to dirt, fertilizers, road salt, acids and more. For best performance and long lifetime, the lens and the cooling fins must be cleaned on a regular basis.