



# BASEline™ R2 SWIVEL

BASEline R2 Swivel is a LED worklight in a new design and with swivel side mounting bracket. This bracket enables the work light to be easily adjusted into various positions for individual illumination of the work area.

Due to its high lumen output, it can be used for Telehandlers, construction and agricultural machines. Highest EMC class rating to avoid radio interference.



## TECHNICAL DATA

<b>Housing Material:</b>	Cast Aluminium
<b>Mounting Options:</b>	Side
<b>Lens Material:</b>	PC
<b>Temperature range:</b>	-40 to +85 °C
<b>Connector:</b>	Deutsch (DT04-2P) built in. Mating part: DT06-2S
<b>Weight:</b>	470 g / 1,04 lb
<b>Light Patterns:</b>	Medium Symmetric Medium Asymmetric

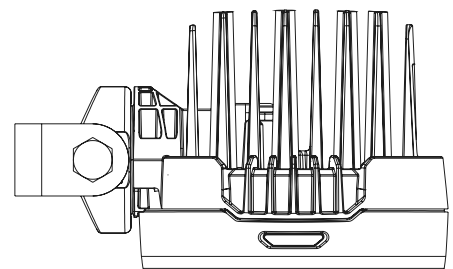
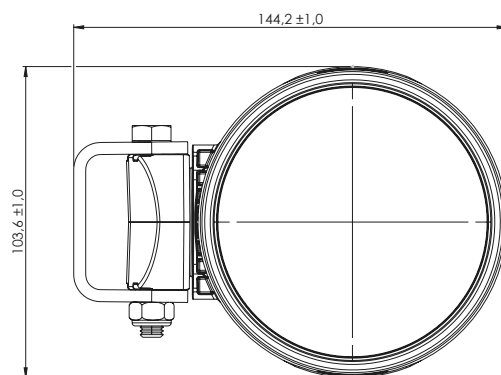
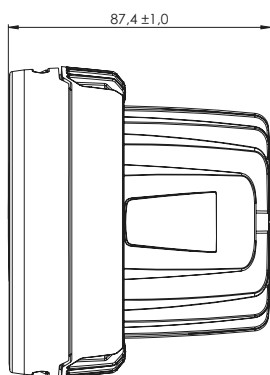
## FEATURES

- Overheating Protection
- Over-voltage Protection
- Polarity Protection
- CE - marked

## TEST STANDARDS

- Salt Spray ASTM B117 240 h
- Vibration 5-2000 Hz 3 Axis, 8 Grms
- Shock Tested 50 G 10 ms
- IP69K
- EN55025 / CISPR 25 Class 5, ISO 7637-2, ISO16750-2, ISO-10605, ISO11452-2, ISO-11452-4, EN61000-4-2, EN55015

For further information visit [www.tyriLights.com](http://www.tyriLights.com) or contact your local sales team.



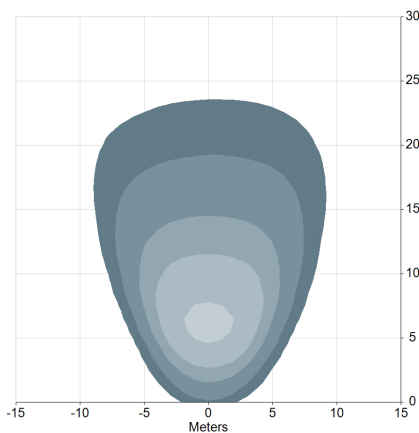


# BASEline™ R2 SWIVEL

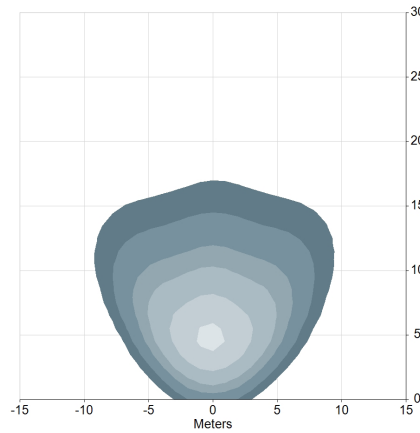
LIGHT OUTPUT	VOLTAGE		AMP DRAW		POWER	COLOUR TEMPERATURE	EMC	ECE
	Machine	Operating	12 V	24 V				
Effective Lumen					Watts	K	EN55025 / CISPR25	ECE Rating
2,800 eLm	12 V	9-16 V	2,8 A	- A	39 W	5,700 K	5	-
2,800 eLm	24 V	18-32 V	- A	1,4 A	39 W	5,700 K	5	-

## TYPICAL LIGHT PATTERNS

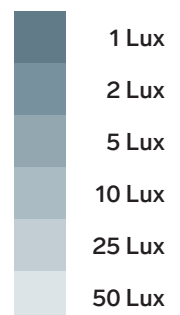
Example for BASEline R2 Swivel / 2,800 effective lumen



**BASEline R2 Swivel / 2,800 eLm**  
Medium, 31 - 45°  
3.0 m / -15°  
Symmetric



**BASEline R2 Swivel / 2,800 eLm**  
Medium, 31 - 45°  
3.0 m / -15°  
Asymmetric



LED work lights are exposed to dirt, fertilizers, road salt, acids and more. For best performance and long lifetime, the lens and the cooling fins must be cleaned on a regular basis.