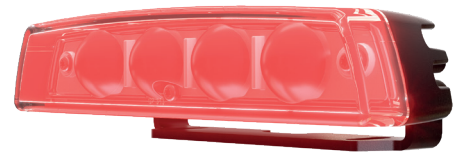




VL4 REDPOINT

The VL4 RedPoint has a slimline appearance and can be mounted on a forklift truck with minimal protrusion, while still emitting a bright red square of light onto the floor to warn of an approaching vehicle.

The VL4 LED work lights are also available in the same housing, allowing for a unified lighting design.



Note: the lens of the RedPoint is clear, the red light is emitted from LEDs

TECHNICAL DATA

- Housing Material:** Cast Aluminium
- Mounting Options:** Standing
Hanging
- Lens Material:** PC
- Temperature range:** -40 to +85 °C
- Connector:** Deutsch (DT04-2P) built in.
Mating part: DT06-2S
- Weight:** 435 kg / 0.96 lb
- Light Patterns:** Spot

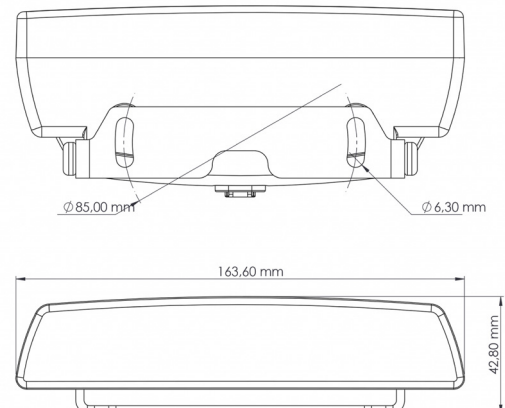
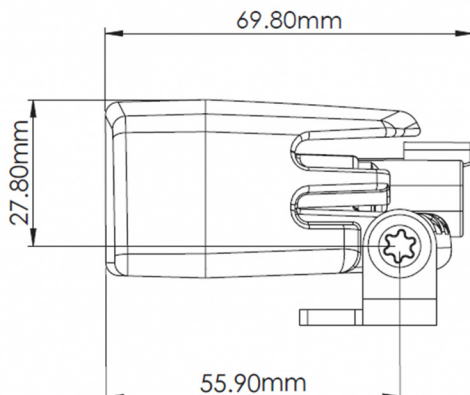
FEATURES

- Overheating Protection
- Over-voltage Protection
- Polarity Protection
- UL Optional

TEST STANDARDS

- Salt Spray ASTM B117 48 h
- Vibration 5-2000 Hz 3 Axis, 10 Grms
- Shock Tested 50 G 10 ms
- IP69K
- EMC EN55025 / CISPR 25 Class 3, ISO11452-2, EN61000-6-2

For further information visit www.tyriLights.com or contact your local sales team.





VL4 REDPOINT

LIGHT INTENSITY	VOLTAGE		AMP DRAW		POWER	DOMINANT WAVELENGTH	LENS PATTERN	PART NO.	EMC	ECE
	Machine	Operating	12 V	24 V	Watts	nm			EN55025 / CISPR25	ECE Rating
Candela	12-48 V	9-60 V	1.2 A	0.6 A	15 W	630 nm	RedPoint	VL4-176-1	3	-

LED work lights are exposed to dirt, fertilizers, road salt, acids and more. For best performance and long lifetime, the lens and the cooling fins must be cleaned on a regular basis.