



# 1010 XP-9

The popular 1010 has had a sleek new update with the 1010 XP-9. This popular product is still as adaptable as the original, but now has an improved design which eliminates stray light providing even more effective light in front where you need it.

Available in 2,500 to 4,000 effective lumen options and tested to achieve the highest ratings. Vibration dampers are standard and an advantage when ground conditions cause increased vibration and shock.




## TECHNICAL DATA

<b>Housing Material:</b>	Cast Aluminium
<b>Mounting Options:</b>	Hanging Standing
<b>Lens Material:</b>	Grillamid, PC, Hardened Glass, Glasscoated
<b>Temperature range:</b>	-40 to +85 °C
<b>Connector:</b>	Deutsch (DT04-2P) built in. Mating part: DT06-2S
<b>Weight: PC</b>	1.15 kg / 2.54 lb
<b>Glasscoated</b>	1.1 kg / 2.42 lb
<b>Hardened glass</b>	1.2 kg / 2.65 lb
<b>Light Patterns:</b>	Narrow Symmetric Medium Symmetric Wide Symmetric Medium Asymmetric Wide Asymmetric Spot

## FEATURES

-  Overheating Protection
-  Over-voltage Protection
-  Polarity Protection
-  CE - marked
-  Dampened

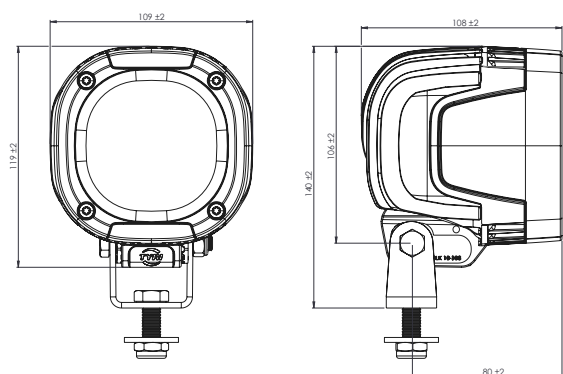
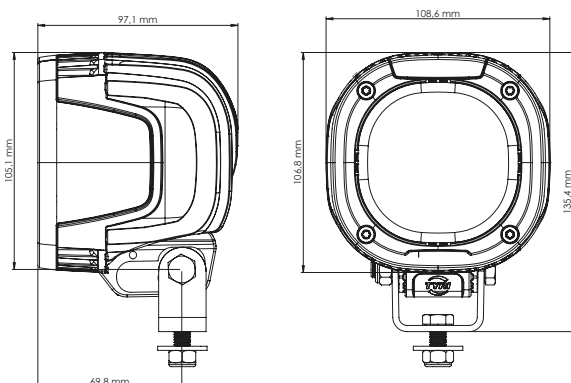
## TEST STANDARDS

-  Salt Spray ASTM B117 500 h
-  Vibration 5-2000 Hz 3 Axis, 10 Grms
-  Shock Tested 50 G 11 ms
-  IP69K
-  EMC EN55025 / CISPR 25 Class 5  
ISO7636-2, ISO10605,  
ISO11452-2, ISO11452-4,  
ISO16750-2
-  ECE R10

For further information visit [www.tyrilights.com](http://www.tyrilights.com) or contact your local sales team.

### PC, grillamid & glasscoated

### Hardened glass

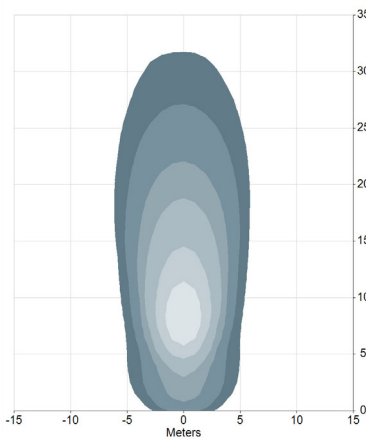


# 1010 XP-9

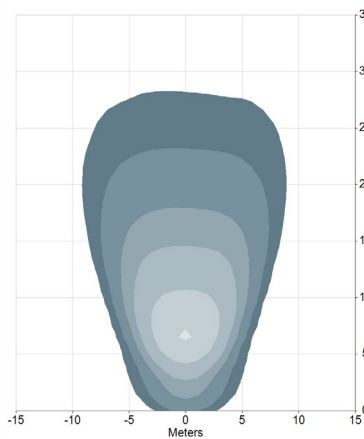
LIGHT OUTPUT	VOLTAGE		AMP DRAW		POWER	COLOUR TEMPERATURE	EMC	ECE
	Machine	Operating	12 V	24 V				
2,500 eLm	12 V	9-16 V	1.9 A	-	23 W	5,700 K	5	R10
2,500 eLm	24 V	18-32 V	-	1.1 A	31 W	5,700 K	5	R10
2,800 eLm	12-24 V	9-32 V	2.2 A	1.1 A	31 W	5,700 K	5	-
3,200 eLm	12 V	9-16 V	3.3 A	-	40 W	5,700 K	5	R10
3,200 eLm	24 V	18-32 V	-	1.7 A	40 W	5,700 K	5	R10
4,000 eLm	12 V	9-16 V	3.7 A	-	50 W	5,700 K	5	R10
4,000 eLm	24 V	18-32 V	-	2.1 A	50 W	5,700 K	5	R10

## TYPICAL LIGHT PATTERNS

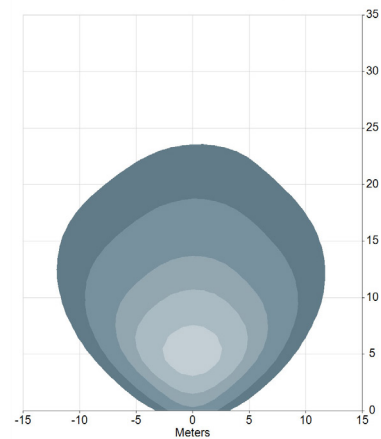
Example for 1010 XP-9 / 4,000 effective lumen



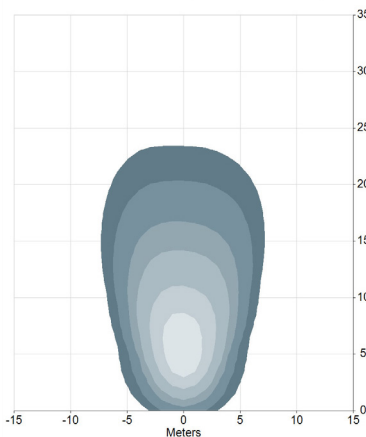
**1010 XP-9 / 4,000 eLm**  
Narrow, 0-30°  
3.0 m / -15°  
Symmetric



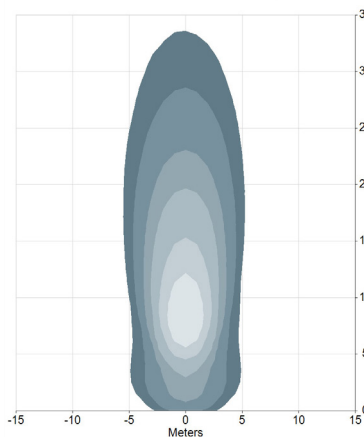
**1010 XP-9 / 4,000 eLm**  
Medium, 31 - 45°  
3.0 m / -15°  
Symmetric



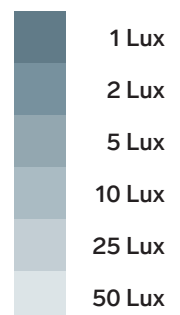
**1010 XP-9 / 4,000 eLm**  
Wide, 45° +  
3.0 m / -15°  
Symmetric



**1010 XP-9 / 4,000 eLm**  
Medium, 31 - 45°  
3.0 m / -15°  
Asymmetric



**1010 XP-9 / 4,000 eLm**  
Spot  
3.0 m / -15°  
Symmetric



LED work lights are exposed to dirt, fertilizers, road salt, acids and more. For best performance and long lifetime, the lens and the cooling fins must be cleaned on a regular basis.