



1010 WHITEPOINT



The WhitePoint is a remarkable search light with a tighter spot than the WhiteBeam, and capable of projecting light over a long distance at a high Candela output. This work light is suitable for monitors to enhance task performance of fire fighters or as a searchlight.

TECHNICAL DATA

Housing Material:	Cast Aluminium
Mounting Options:	Hanging Standing
Lens Material:	PC
Temperature range:	-40 to +75 °C
Connector:	Deutsch (DT04-2P) built in. Mating part: DT06-2S
Weight:	616 g / 1,36 lb
Light Patterns:	Spot

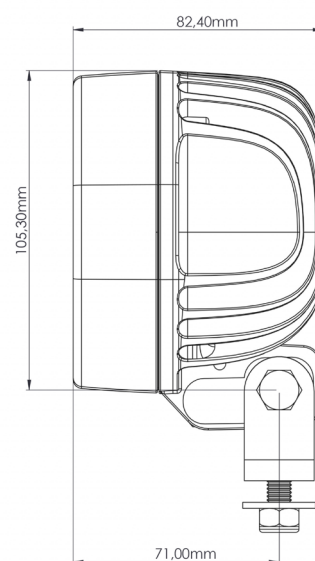
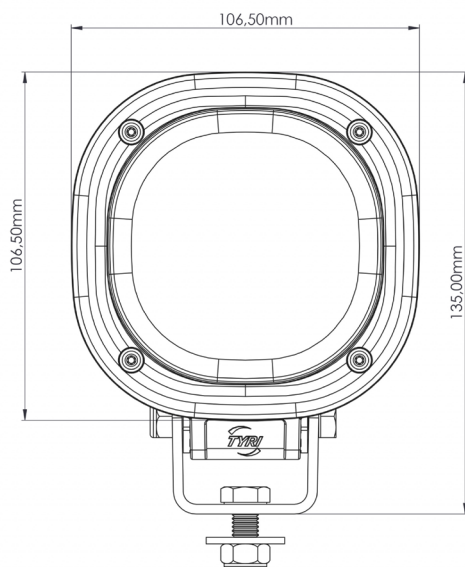
FEATURES

- Overheating Protection
- Over-voltage Protection
- Polarity Protection
- CE - marked
- Dampened

TEST STANDARDS

- Salt Spray ASTM B117 48 h
- Vibration 5-2000 Hz 3 Axis, 10 Grms
- Shock Tested 50 G 10 ms
- IP69K
- EMC EN55025 / CISPR 25 Class 5, ISO 7637-2, ISO 16750-2, ISO 10605, ISO11452-2, ISO11452-4

For further information visit www.tyrilights.com or contact your local sales team.



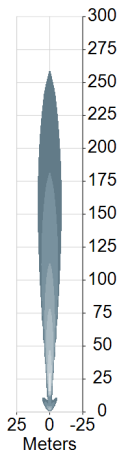


1010 WHITEPOINT

LIGHT OUTPUT	VOLTAGE		AMP DRAW		POWER	COLOUR TEMPERATURE	EMC	ECE
	Machine	Operating	12 V	24 V				
Effective Lumen	12-48 V	9-60 V	1,0 A	0,5 A	14 W	5,700 K	EN55025 / CISPR25	ECE Rating
850 eLm							5	-

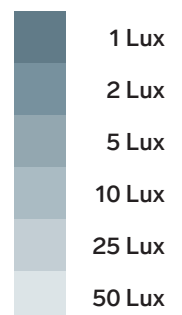
TYPICAL LIGHT PATTERNS

Example for 1010 WhitePoint / 850 effective lumen



1010 WhitePoint / 850 eLm

Spot
1.0 m / 0°
Symmetric



LED work lights are exposed to dirt, fertilizers, road salt, acids and more. For best performance and long lifetime, the lens and the cooling fins must be cleaned on a regular basis.