



# 1010 ECO PWR

This product is powered with TYRI ECO PWR Technology. It delivers a high output of 6,000 effective lumens while consuming a low energy input of only 52 watts.

It is a perfect solution combining the classic and popular TYRI 1010 with lower energy or fuel usage.

The updated design maintains the adaptability of the original model but now eliminates stray light for even more effective illumination where you need it. Vibration dampers are fitted as standard and are an advantage when ground conditions cause increased vibration and shock.



## TECHNICAL DATA

- Housing Material:** Cast Aluminium
- Mounting Options:** Hanging  
Standing
- Lens Material:** Grilamid, PC, Hardened Glass, Glasscoated
- Temperature range:** -40 to +85 °C
- Connector:** Deutsch (DT04-2P) built in.  
Mating part: DT06-2S
- Weight: PC** 1,15 kg / 2,54 lb  
**Glasscoated** 1,1 kg / 2,42 lb  
**Hardened glass** 1,2 kg / 2,65 lb
- Light Patterns:** Narrow Symmetric  
Medium Symmetric  
Wide Symmetric  
Medium Asymmetric  
Wide Asymmetric  
Spot

## FEATURES

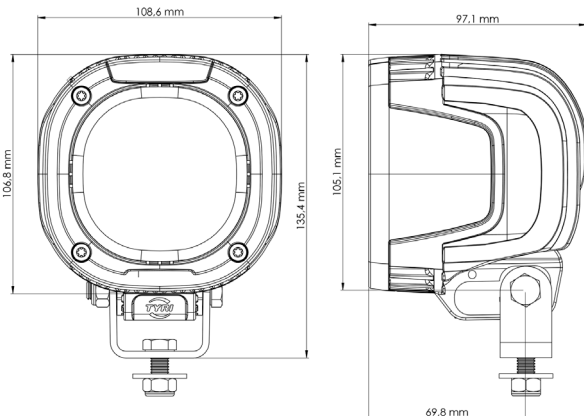
- Overheating Protection
- Over-voltage Protection
- Polarity Protection
- CE - marked
- Dampened

## TEST STANDARDS

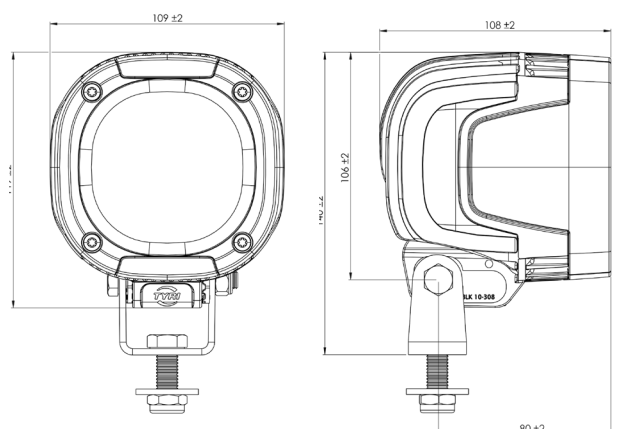
- Salt Spray ASTM B117 500 h
- Vibration 5-2000 Hz 3 Axis, 10 Grms
- Shock Tested 50 G 11 ms
- IP69K
- EN55025 / CISPR 25 Class 5  
ISO7636-2, ISO10605,  
ISO11452-2, ISO11452-4,  
ISO16750-2

For further information visit [www.tyriLights.com](http://www.tyriLights.com) or contact your local sales team.

### PC, grillamid & glasscoated



### Hardened glass





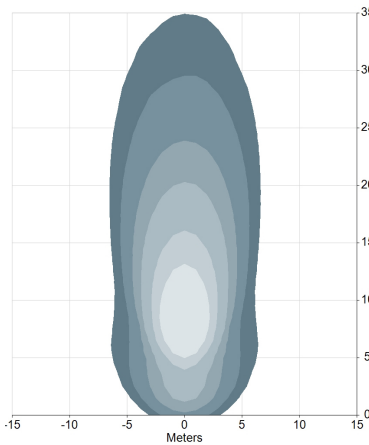
# 1010 ECO PWR

LIGHT OUTPUT	VOLTAGE		AMP DRAW		POWER	COLOR TEMP	EMC	ECE
	Effective Lumen	Machine	Operating	12 V	24 V	Watts	K	EN55025 / CISPR25
6,000 eLm	12-24V	9-32 V	3,8 A	1,8 A	52 W*	5,700 K	5	-

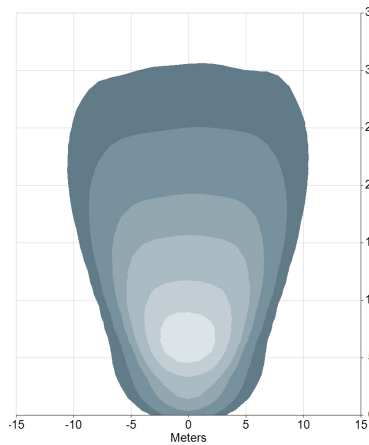
\* Measured at 28V

## TYPICAL LIGHT PATTERNS

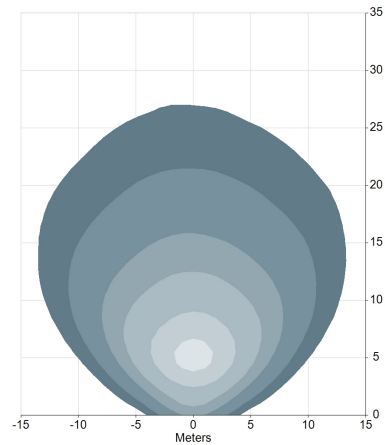
Example for 1010 ECO PWR / 6,000 effective lumen



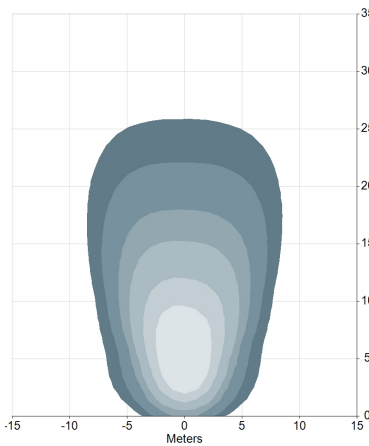
**1010 ECO PWR / 6,000 eLm**  
Narrow, 0-30°  
3.0 m / -15°  
Symmetric



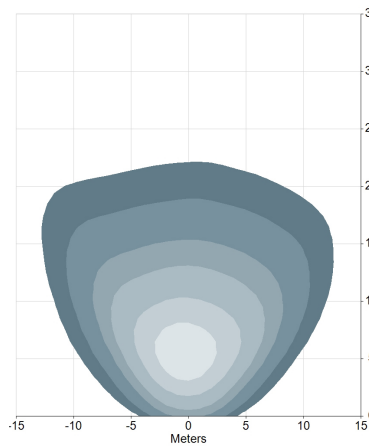
**1010 ECO PWR / 6,000 eLm**  
Medium, 31 - 45°  
3.0 m / -15°  
Symmetric



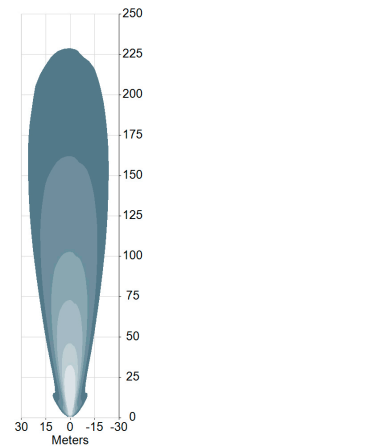
**1010 ECO PWR / 6,000 eLm**  
Wide, 45° +  
3.0 m / -15°  
Symmetric



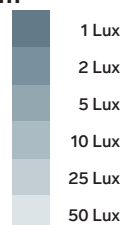
**1010 ECO PWR / 6,000 eLm**  
Medium, 31 - 45°  
3.0 m / -15°  
Asymmetric



**1010 ECO PWR / 6,000 eLm**  
Wide, 45° +  
3.0 m / -15°  
Asymmetric



**1010 ECO PWR / 6,000 eLm**  
Spot  
1.0 m / 0°  
Symmetric



LED work lights are exposed to dirt, fertilizers, road salt, acids and more. For best performance and long lifetime, the lens and the cooling fins must be cleaned on a regular basis.