



# 1313 AC



The 1313 AC is a low energy (60W), durable work light. It is suitable for larger conveyors or AC powered machinery giving 5,000 effective lumen output.

The 1313 AC has undergone TYRI's stringent testing for IP69K, vibration, salt spray and EMC.

## TECHNICAL DATA

- Housing Material:** Cast Aluminium
- Mounting Options:** Hanging  
Standing
- Lens Material:** Polycarbonate
- Temperature range:** -40 to +50 °C
- Connector:** Flying leads
- Weight:** 2,1 kg / 4,6 lb
- Light Patterns:** Narrow Symmetric  
Medium Symmetric  
Medium Asymmetric

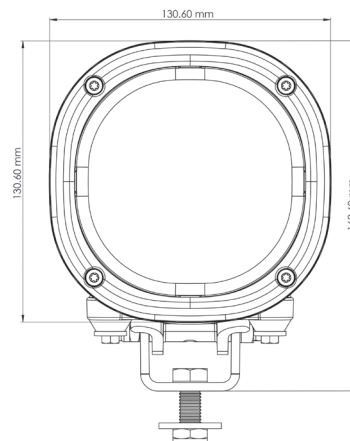
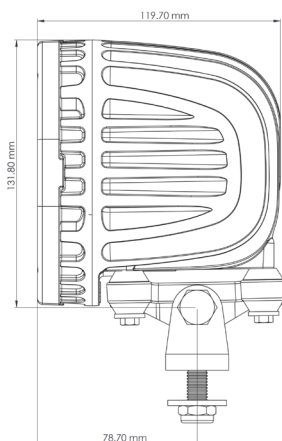
## FEATURES

- Overheating Protection
- Over-voltage Protection
- Polarity Protection
- Dampened

## TEST STANDARDS

- Salt Spray ASTM B117 500 h
- Vibration 5-2000 Hz 3 Axis, 10 Grms
- Shock Tested 50 G 11 ms
- IP69K
- EMC AC/DC Converter:  
EN55015 Class B  
FCC 47CFR part 15 Class B  
Susceptibility:  
EN61000-4-2,-3,-4,-6,-6 & -11  
ANSI c62.41-1991 Category A1, 2.5kV  
Ringwave

For further information visit [www.tyrilights.com](http://www.tyrilights.com) or contact your local sales team.





# 1313 AC

LIGHT OUTPUT	VOLTAGE		AMP DRAW		POWER	COLOR TEMP	LENS PATTERN	PART NO.	EMC
	Machine	Operating	120 V /60Hz	240 V /60Hz					
Effective Lumen	100-277 V nominal / 47-63 Hz	85-264 V	0,7 A	0,3A	60 W	5,700 K	Narrow Symmetric Medium Symmetric	HLD-183-1 HLD-184-1	EN55025 / CISPR25  EN61000-4-2,-3,-4,-6,-6 & -11

LED work lights are exposed to dirt, fertilizers, road salt, acids and more. For best performance and long lifetime, the lens and the cooling fins must be cleaned on a regular basis.