



# D8 SWIVEL BLUEPOINT

D8 Swivel Bluepoint enhances safety and reduces the likelihood of accidents in the vicinity of machinery. It provides a visual safety feature in addition to relying solely on sirens and alarms. The D8 Swivel Bluepoint projects a light beam in the form of a concentrated, visible square on the floor in front of or behind the machine.

This warning light is also available as a regular work light, enabling you to match your machine lighting for a seamless design.



Note: the lens of the Bluepoint is clear, the blue light is emitted from LEDs

## TECHNICAL DATA

<b>Housing Material:</b>	Cast Aluminium
<b>Mounting Options:</b>	Hanging Standing Side
<b>Lens Material:</b>	Polycarbonate
<b>Temperature range:</b>	-40 to +85 °C
<b>Connector:</b>	Deutsch (DT04-2P) built in. Mating part: DT06-2S
<b>Weight:</b>	525 g / 1,16 lb
<b>Light Patterns:</b>	Spot

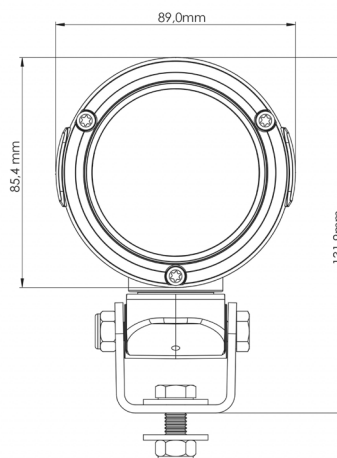
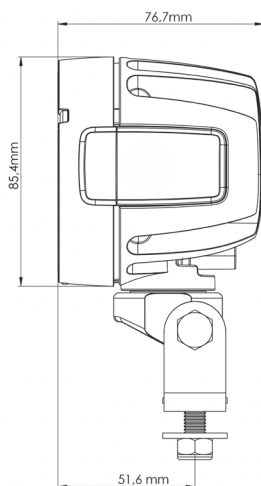
## FEATURES

- Overheating Protection
- Over-voltage Protection
- Polarity Protection

## TEST STANDARDS

- Salt Spray ASTM B117 500 h
- Vibration 5-2000 Hz 3 Axis, 8 Grms
- Shock Tested 50 G 11 ms
- IP69K
- EN55025 / CISPR 25 Class 3, ISO 7637-2, ISO 16750-2, ISO 10605, EN610000-4-2, EN610000-4-3, EN610000-4-4, EN610000-6-3

For further information visit [www.tyrilights.com](http://www.tyrilights.com) or contact your local sales team.





# D8 SWIVEL BLUEPOINT

LIGHT INTENSITY	VOLTAGE		AMP DRAW		POWER	DOMINANT WAVELENGTH	LENS PATTERN	PART NO.	EMC	ECE
	Candela	Machine	Operating	12 V	24 V	Watts	nm		EN55025 / CISPR25	ECE Rating
20,000 cd	12-48 V	9-60 V	1,1 A	0,6 A	15 W	475 nm	Spot	PLP-007-1	3	-

IEC/SS-EN 62471 | RISK GROUP 2

**CAUTION:** Possibly hazardous optical radiation emitted from this product.  
Do not stare at operating lamp. May be harmful to the eye.

It is important to remember, LED work lights are no more hazardous than other lighting technologies with the same correlated colour temperature (CCT).

TYRI complies with the IEC/SS-EN 62471 standard with the addition of the warning label on the product.

*LED work lights are exposed to dirt, fertilizers, road salt, acids and more. For best performance and long lifetime, the lens and the cooling fins must be cleaned on a regular basis.*