



VL4 REDLINE

The VL4 RedLine shows a visible red safety barrier to make pedestrians aware of the danger zone. When mounted at a height of 2 m, the RedLine projects a 3 m long intensive red line on the ground along the side of the machine as a visual barrier for pedestrians or other machinery.



Note: the lens of the RedLine is clear, the red light is emitted from LEDs

TECHNICAL DATA

Housing Material:	Cast Aluminium
Mounting Options:	Standing Hanging
Lens Material:	Polycarbonate
Temperature range:	-40 to +85 °C
Connector:	Deutsch (DT04-2P) built in. Mating part: DT06-2S
Weight:	435 g / 0,96 lb
Light Patterns:	Line

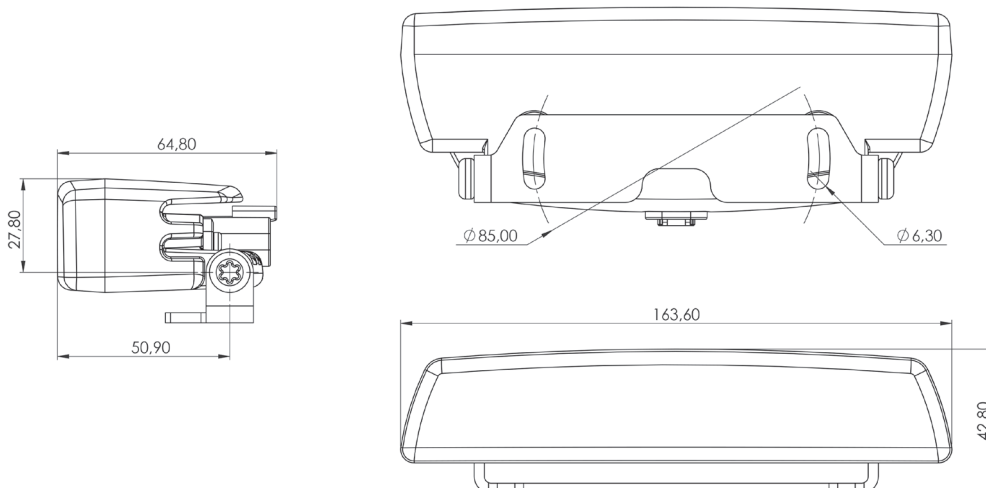
FEATURES

- Overheating Protection
- Over-voltage Protection
- Polarity Protection
- CE - marked

TEST STANDARDS

- Salt Spray ASTM B117 48 h
- Vibration 5-2000 Hz 3 Axis, 10 Grms
- Shock Tested 50 G 10 ms
- IP69K
- EMC EN55025 / CISPR 25 Class 3, ISO11452-2, EN61000-6-2
- ECE R10

For further information visit www.tyriLights.com or contact your local sales team.





VL4 REDLINE

LIGHT OUTPUT	VOLTAGE		AMP DRAW		POWER	DOMINANT WAVELENGTH	EMC	ECE
	Machine	Operating	12 V	24 V			EN55025 / CISPR25	ECE Rating
Candela			12 V	24 V	Watts	nm		
1,300 cd	12-48 V	9-60 V	1,2 A	0,6 A	15 W	630 nm	3	R10

LED work lights are exposed to dirt, fertilizers, road salt, acids and more. For best performance and long lifetime, the lens and the cooling fins must be cleaned on a regular basis.