



# INTELLi light®

INTELLi light® is our new, patented and revolutionary lighting system. It works as a stand alone system or can be integrated to the vehicle UI (User Interface). INTELLi light® connects all lights in a closed wireless mesh network, meaning you get all the functions without additional cables. This ensures it is easy to install, even on existing vehicles. All the units are registered via the app, making it possible to control them individually and program their settings to your own personal preferences. You can also program the remote for quick and handy access. Additional features include, changing of colour temperature and intensity as well as the ability to group and regroup lights.

Patented:  
US 9 975 472 B2  
EP 3 088 250 B1  
JP 6 894 192 B2



reddot winner 2022  
interface design

## TECHNICAL DATA

- Housing Material:** Cast Aluminium
- Mounting Options:** Hanging  
Standing
- Lens Material:** Polycarbonate
- Temperature range:** -40 to +85 °C
- Connector:** Deutsch (DT04-2P)  
built in
- Weight:** 1,15 kg / 2,54 lb
- Light Patterns:** Narrow Symmetric  
Medium Symmetric  
Wide Symmetric  
Medium Asymmetric  
Wide Asymmetric

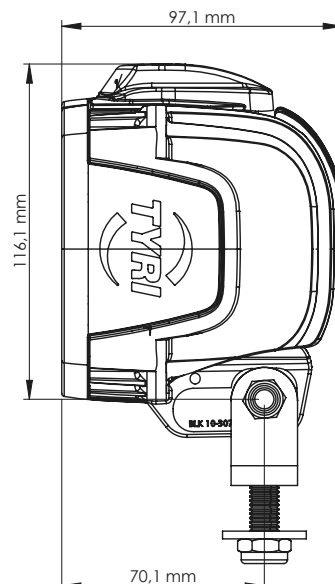
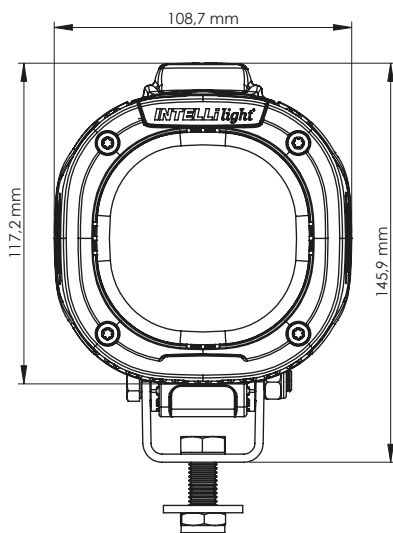
## FEATURES

- Overheating Protection
- Over-voltage Protection
- Polarity Protection
- CE - marked
- Dampened
- High CRI

## TEST STANDARDS

- Salt Spray ASTM B117 500 h
- Vibration 10-2000 Hz 3 Axis, 15.3 G
- Shock Tested 50 G 11 ms
- IP69K
- EN55025 / CISPR 25 Class 4  
ISO 16750-2 / ISO 7637-2 /  
RED / FCC / MIC Radio
- R10

For further information visit [www.tyrilights.com](http://www.tyrilights.com) or contact your local sales team.

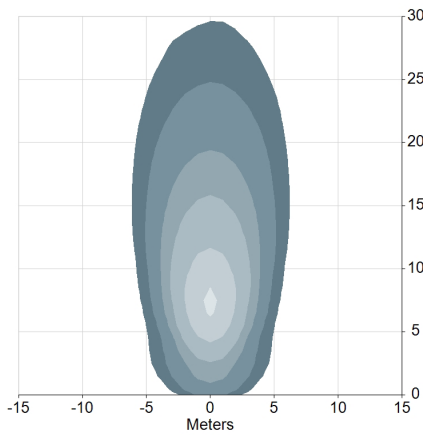




LIGHT OUTPUT	VOLTAGE		AMP DRAW		POWER	COLOUR TEMPERATURE	EMC	ECE
	Machine	Operating	12 V	24 V				
Effective Lumen					Watts	K	EN55025 / CISPR25	ECE Rating
0- 2,900 eLm	12-24 V	9-32 V	2,6 A	1,3 A	36 W	2,700- 6,500 K	4	R10

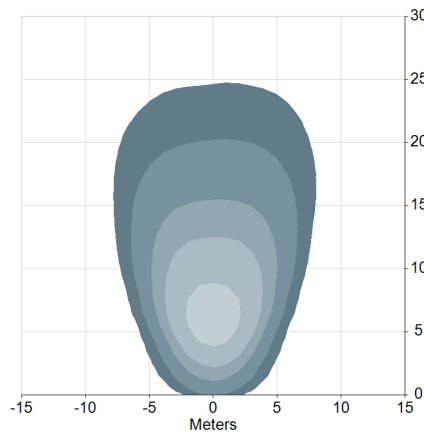
**TYPICAL LIGHT PATTERNS**

Example for INTELLi**light**® / 2,900 effective lumen



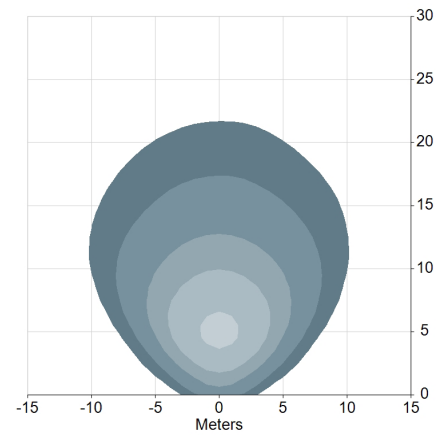
**INTELLi**light® / 2,900 eLm

Narrow, 0-30°  
3.0 m / -15°  
Symmetric



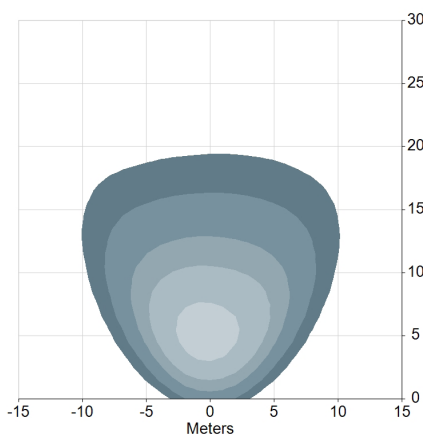
**INTELLi**light® / 2,900 eLm

Medium, 31 - 45°  
3.0 m / -15°  
Symmetric



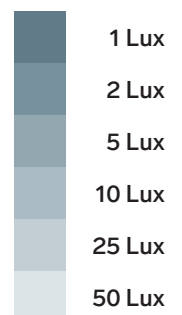
**INTELLi**light® / 2,900 eLm

Wide, 45° +  
3.0 m / -15°  
Symmetric



**INTELLi**light® / 2,900 eLm

Wide, 45° +  
3.0 m / -15°  
Asymmetric



LED work lights are exposed to dirt, fertilizers, road salt, acids and more. For best performance and long lifetime, the lens and the cooling fins must be cleaned on a regular basis.