



1010 DIFFUSED



The 1010 Diffused model provides a broad horizontal and vertical light distribution, making it ideal for illuminating short distances without causing glare or reflections. This model is utilized in various applications such as mining, engine compartments, trailers, forklift trucks, and more.

TECHNICAL DATA

- Housing Material:** Cast Aluminium
- Mounting Options:** Hanging
Standing
- Lens Material:** Polycarbonate
- Temperature range:** -40 to +75 °C
- Connector:** Deutsch (DT04-2P) built in.
Mating part: DT06-2S
- Weight:** 616 g / 1,36 lb
- Light Patterns:** Diffuse White

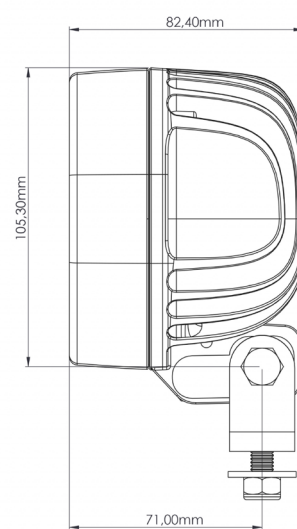
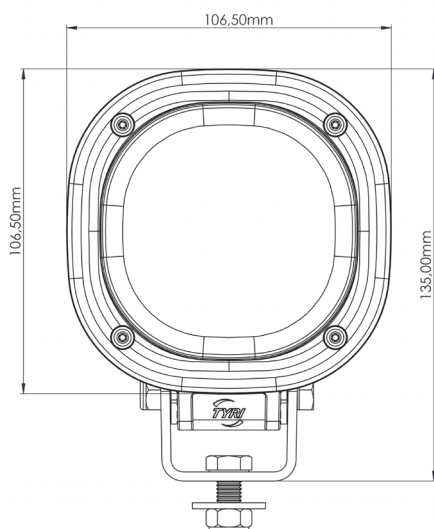
FEATURES

- Overheating Protection
- Over-voltage Protection
- Polarity Protection
- Dampened
- UL Optional

TEST STANDARDS

- Salt Spray ASTM B117 500 h
- Vibration 5-2000 Hz 3 Axis, 10 Grms
- Shock Tested 50 G 11 ms
- IP69K
- EN55025 / CISPR 25 Class 5

For further information visit www.tyriLights.com or contact your local sales team.





1010 DIFFUSED

LIGHT INTENSITY	VOLTAGE		AMP DRAW		POWER	DOMINANT WAVELENGTH	LENS PATTERN	PART NO.	EMC	ECE
	Machine	Operating	12 V	24 V					Watts	nm
500 eLm	12-48 V	9-60 V	1.4 A	0.6 A	14 W	5.700 K	Diffuse White	CLD-576-1	5	-
900 eLm	12-48 V	9-60 V	2.5 A	1.3 A	30 W	5.700 K	Diffuse White	CLD-577-1	5	-
1.500 eLm	12-48 V	9-60 V	2.3 A	1.1 A	26 W	5.700 K	Diffuse White	-	5	-

LED work lights are exposed to dirt, fertilizers, road salt, acids and more. For best performance and long lifetime, the lens and the cooling fins must be cleaned on a regular basis.