



D8 REDPOINT

D8 Redpoint enhances safety and reduces the likelihood of accidents in the vicinity of machinery. It provides a visual safety feature in addition to relying solely on sirens and alarms. The D8 Redpoint projects a light beam in the form of a concentrated, visible red square on the floor in front of or behind the machine.

This warning light is also available as a regular work light, enabling you to match your machine lighting for a seamless design.



Note: the lens of the Redpoint is clear, the red light is emitted from LEDs

TECHNICAL DATA

- Housing Material:** Cast Aluminium
- Mounting Options:** Hanging
Standing
- Lens Material:** Polycarbonate
- Temperature range:** -40 to +85 °C
- Connector:** Deutsch (DT04-2P) built in.
Mating part: DT06-2S
- Weight:** 525 g / 1,16 lb
- Light Patterns:** Spot

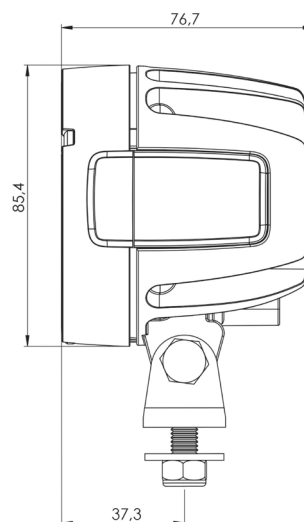
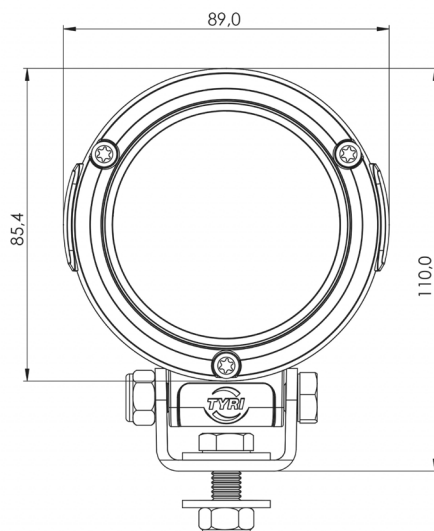
FEATURES

- Overheating Protection
- Over-voltage Protection
- Polarity Protection

TEST STANDARDS

- Salt Spray ASTM B117 48 h
- Vibration 5-2000 Hz 3 Axis, 8 Grms
- Shock Tested 50 G 11 ms
- IP69K
- EMC EN55025 / CISPR 25 Class 3, ISO 7637-2, ISO 16750-2, ISO 10605, EN610000-4-2, EN610000-4-3, EN610000-4-4, EN610000-6-3

For further information visit www.tyrilights.com or contact your local sales team.





D8 REDPOINT

LIGHT INTENSITY	VOLTAGE		AMP DRAW		POWER	DOMINANT WAVELENGTH	LENS PATTERN	PART NO.	EMC	ECE
	Machine	Operating	12 V	24 V	Watts				nm	EN55025 / CISPR25
Candela	12-48 V	9-60 V	0,9 A	0,5 A	15 W	630 nm	Spot	-	3	-

LED work lights are exposed to dirt, fertilizers, road salt, acids and more. For best performance and long lifetime, the lens and the cooling fins must be cleaned on a regular basis.