



1323

The 1323 LED is an extremely powerful LED work light delivering up to a massive 16,500 effective lumen output. The curved design and mounting options of 60° trunion mount ensure this work light is suitable for multiple applications and installation choices.

Used on fire-fighting vehicles, boat cranes and other cranes, material handlers, light masts for generators, mining machines and more with a colour temperature of 4,000 K.



TECHNICAL DATA

- Housing Material:** Cast Aluminium
- Mounting Options:** Hanging
Standing
- Lens Material:** Grilamid & Glasscoated
- Temperature range:** -40 to +85 °C
- Connector:** Deutsch (DT04-2P)
built in.
Mating part: DT06-2S
- Weight:** 4,7 kg / 10,4 lb
- Light Patterns:** Medium Symmetric
Wide Symmetric

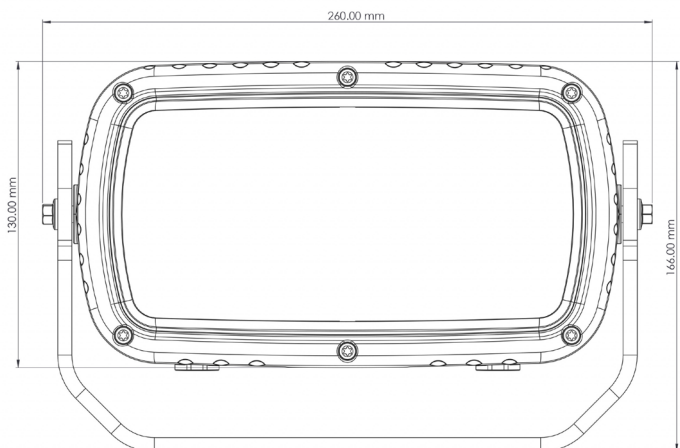
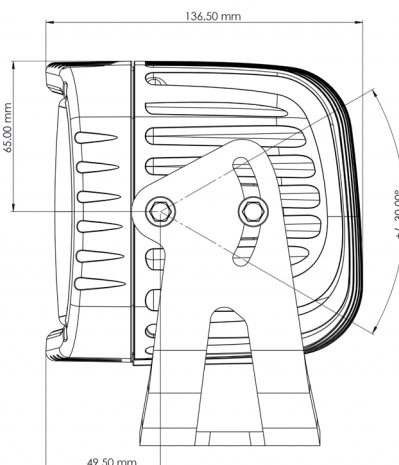
FEATURES

- Overheating Protection
- Over-voltage Protection
- Polarity Protection
- CE - marked

TEST STANDARDS

- Salt Spray ASTM B117 500 h
- Vibration 5-2000 Hz 3 Axis, 10 Grms
- Shock Tested 50 G 11 ms
- IP67
- EN55025 / CISPR 25 Class 4,
ISO 11452-2 / ISO 11452-4 /
ISO16750-2 / ISO 10605 /
ISO 7637-2
- ECE R10

For further information visit www.tyrilights.com or contact your local sales team.



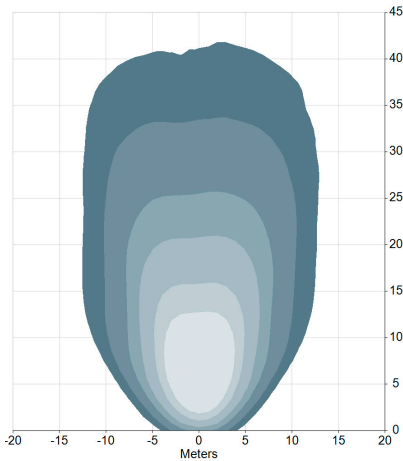


1323

LIGHT OUTPUT	VOLTAGE		AMP DRAW		POWER	COLOUR TEMPERATURE	EMC	ECE
	Machine	Operating	12 V	24 V				
13,500 eLm	24 V	18-32 V	-	6,2 A	118 W	4,000 K	4	R10
16,500 eLm	24 V	18-32 V	-	6,2 A	150 W	4,000 K	4	R10

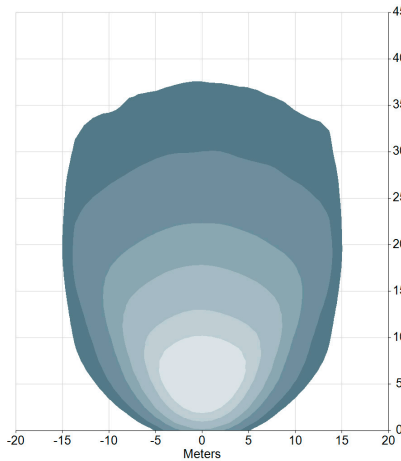
TYPICAL LIGHT PATTERNS

Example for 1323 / 16,500 effective lumen



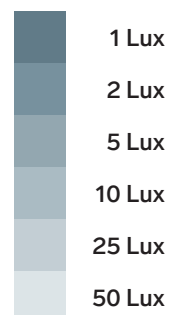
1323 / 16,500 eLm

Medium, 31° - 45°
3.0 m / -15°
Symmetric



1323 / 16,500 eLm

Wide, 45° +
3.0 m / -15°
Symmetric



LED work lights are exposed to dirt, fertilizers, road salt, acids and more. For best performance and long lifetime, the lens and the cooling fins must be cleaned on a regular basis.