



0606 DIFFUSED

0606 Diffused has an extremely wide light distribution, both horizontally and vertically and is used for very short distances only, giving no reflections. This light can be used for a variety of applications in mining and construction and is suitable for engine compartments, illumination of hydraulics, axles, couplings amongst other applications.



TECHNICAL DATA

- Housing Material:** Cast Aluminium
- Mounting Options:** Hanging
Standing
Side
- Lens Material:** Clear & yellow PC
- Temperature range:** -40 to +75 °C
- Connector:** Deutsch (DT04-2P) built in.
Mating part: DT06-2S
- Weight:** 280 g / 0.62 lb
- Light Patterns:** Diffused

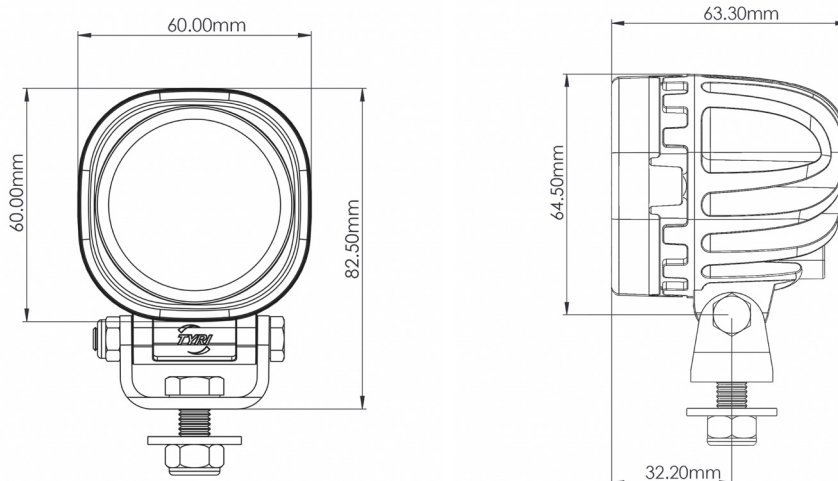
FEATURES

- Overheating Protection
- Over-voltage Protection
- Polarity Protection
- UL Optional

TEST STANDARDS

- Salt Spray ASTM B117 500 h
- Vibration 5-2000 Hz 3 Axis, 8 Grms
- Shock Tested 50 G 11 ms
- IP IP69K
- EMC EN55025 / CISPR 25 Class 4 & 5, ISO7637-2, ISO10605, ISO16750-2, ISO11452-2
- ECE R10

For further information visit www.tyrilights.com or contact your local sales team.





0606 DIFFUSED

LIGHT OUTPUT	VOLTAGE		AMP DRAW		POWER	COLOR TEMP	LENS PATTERN	PART NO.	EMC	ECE
	Effective Lumen	Machine	Operating	12 V	24 V	Watts			K	EN55025 / CISPR25
500 eLm	12-48 V	9-60 V	1,2 A	0,6 A	13 W	5,700 K	Diffused	BLU-119-1	4	R10
700 eLm	12 V	9-16 V	1,1 A	- A	13 W	5,700 K	Diffused	BLU-120-1	5	R10
700 eLm	24 V	18-32 V	- A	0,6 A	13 W	5,700 K	Diffused	BLU-121-1	5	R10

LED work lights are exposed to dirt, fertilizers, road salt, acids and more. For best performance and long lifetime, the lens and the cooling fins must be cleaned on a regular basis.