



D8 SWIVEL

The D8 Swivel is a product family consisting of LED work lights and LED BluePoint and RedPoint warning lights. The D8 Swivel work light can be tilted back and forth, and also be turned sideways thanks to the clever swivel bracket.



TECHNICAL DATA

- Housing Material:** Cast Aluminium
- Mounting Options:** Hanging
Standing
Side
- Lens Material:** PC
- Temperature range:** -40 to +85 °C
- Connector:** Deutsch (DT04-2P) built in.
Mating part: DT06-2S
- Weight:** 525 g / 1.16 lb
- Light Patterns:** Narrow Symmetric
Medium Symmetric
Wide Symmetric
Wide Vertical Symmetric

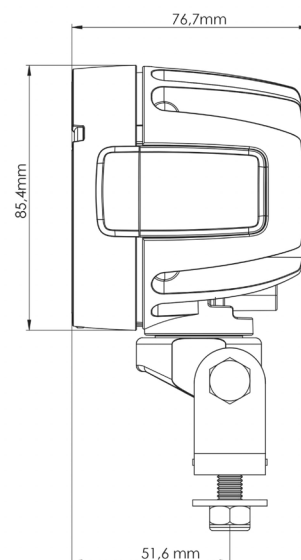
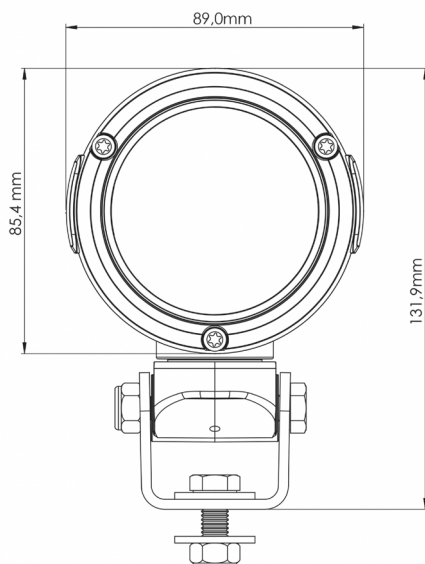
FEATURES

- Overheating Protection
- Over-voltage Protection
- Polarity Protection
- CE - marked

TEST STANDARDS

- Salt Spray ASTM B117 500 h
- Vibration 5-2000 Hz 3 Axis, 8 Grms
- Shock Tested 50 G 11 ms
- IP69K
- EN55025 / CISPR 25 Class 3 & 5, ISO7637-2, ISO10605, ISO16750-2, ISO11452-2 & ISO11452-4

For further information visit www.tyriights.com or contact your local sales team.



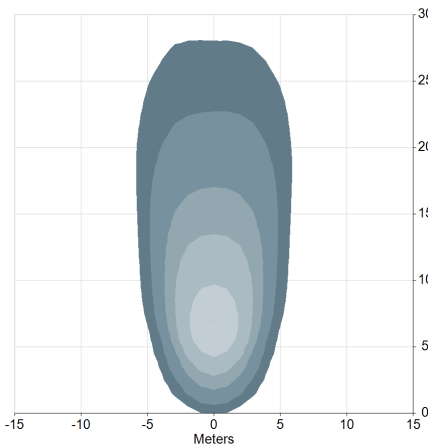


D8 SWIVEL

LIGHT OUTPUT	VOLTAGE		AMP DRAW		POWER	COLOUR TEMPERATURE	EMC	ECE
	Machine	Operating	12 V	24 V				
700 eLm	12 V	9-16 V	0.6 A	-	8 W	5.700 K	5	-
700 eLm	24 V	18-32 V	-	0.5 A	14 W	5.700 K	5	-
1,100 eLm	12 V	9-16 V	1.0 A	-	14 W	5.700 K	5	-
1,100 eLm	24 V	18-32 V	-	0.5 A	14 W	5.700 K	5	-
1,200 eLm	12-48 V	9-60 V	1.1 A	0.6 A	17 W	5.700 K	3	-
1,400 eLm	12 V	9-16 V	1.8 A	-	25 W	5.700 K	5	-
1,400 eLm	24 V	18-32 V	-	0.9 A	25 W	5.700 K	5	-
1,400 eLm	12-24 V	9-32 V	1.3 A	0.7 A	18 W	5.700 K	5	-
2,500 eLm	12 V	9-16 V	2.6 A	-	36 W	5.700 K	5	-
2,500 eLm	24 V	18-32 V	-	1.3 A	36 W	5.700 K	5	-

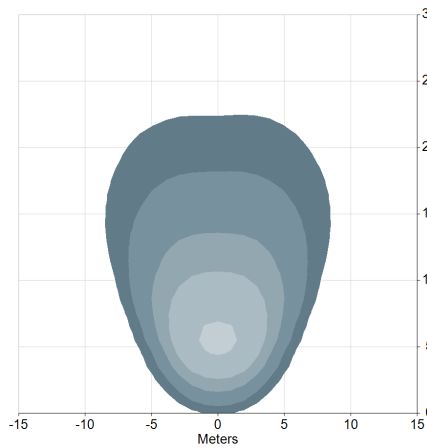
TYPICAL LIGHT PATTERNS

Example for D8 Swivel / 2,500 effective lumen



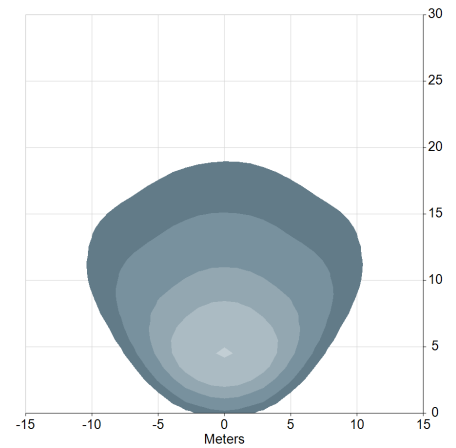
D8 Swivel / 2,500 eLm

Narrow, 0-30°
3.0 m / -15°
Symmetric



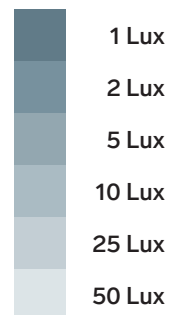
D8 Swivel / 2,500 eLm

Medium, 31 - 45°
3.0 m / -15°
Symmetric



D8 Swivel / 2,500 eLm

Wide, 45° +
3.0 m / -15°
Symmetric



LED work lights are exposed to dirt, fertilizers, road salt, acids and more. For best performance and long lifetime, the lens and the cooling fins must be cleaned on a regular basis.