



DLM-F1 BI-LED

The DLM-F1 Bi-LED is a freestanding driving light engineered for commercial and heavy-duty vehicles. With its modern design and advanced lighting technology, it delivers high performance across a wide range of vehicle applications. Based on the TYRI Patented Optical System.

Its 6-in-1 design integrates High Beam, Low Beam, DRL, Turn Marker, Side Marker and Position Light functions into a single unit. The low beam provides a wide illuminated ground surface, while the high beam delivers long and wide-reaching visibility for improved safety and driver comfort.

Flexible installation and available for both right-hand and left-hand traffic applications.



TECHNICAL DATA

- Housing Material:** Cast Aluminium
- Mounting Options:** Standing
Centre Mounted
- Lens Material:** PC (glass coated)
- Temperature range:** -40 to +70 °C
- Connector:** Deutsch DT04-4P
Mating part: DT06-4S
- Weight:** 2,1 Kg / 4,6 lb
- Light Functions:** Low Beam
High Beam
DRL
Turn Marker
Position Light
Side Marker

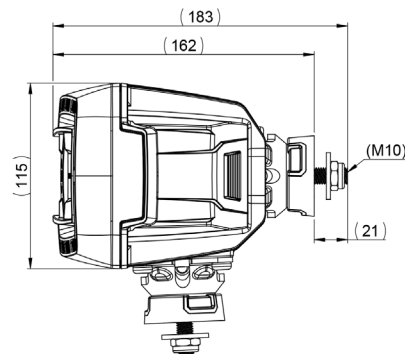
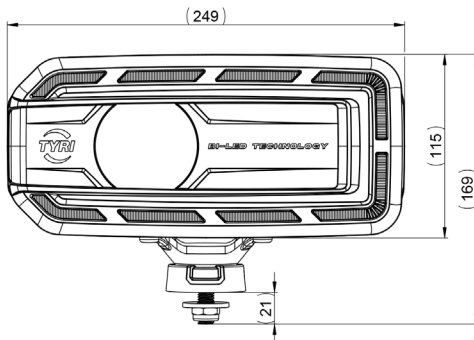
FEATURES

- Overheating Protection
- Over-voltage Protection
- Polarity Protection

TEST STANDARDS

- Salt Spray ASTM B117 500 h
- Vibration 5-2000 Hz 3 Axis, 10 Grms
- Shock Tested 50 G
- IP69K
- ECE R10, R149, R148, FMVSS 108, LHT & RHT

For further information visit www.tyrilights.com or contact your local sales team.



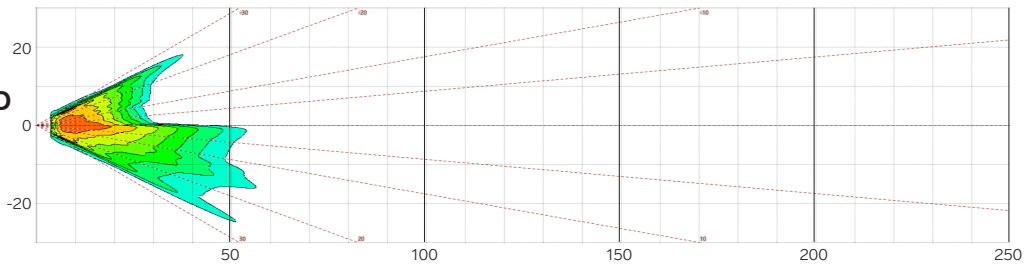


DLM-F1 BI-LED

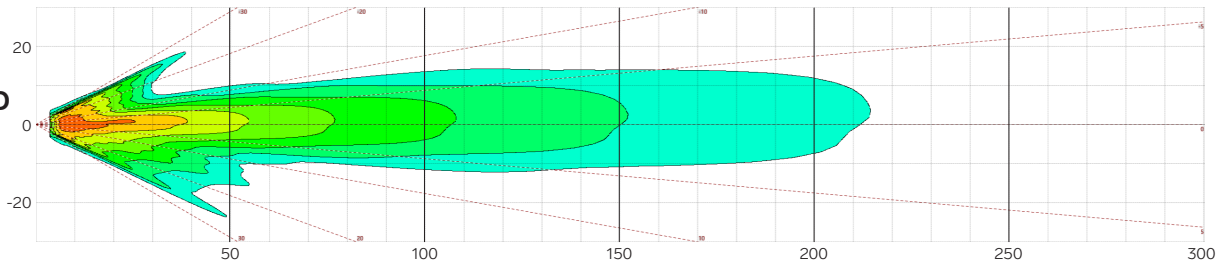
LIGHT FUNCTION	VOLTAGE		AMP DRAW		POWER	COLOR TEMP	PART NO.	ECE
	Machine	Operating	12 V	24 V	12 V	K		
Low Beam	12-24 V	9-32 V	1,8 A	0,9 A	21 W	5,700 K		ECE Rating
High Beam		2,8 A	1,7 A	33 W				

TYPICAL LIGHT PATTERNS - 1M (RIGHT HAND TRAFFIC)

DLM-F1 Bi-LED
Low Beam
1,0 m

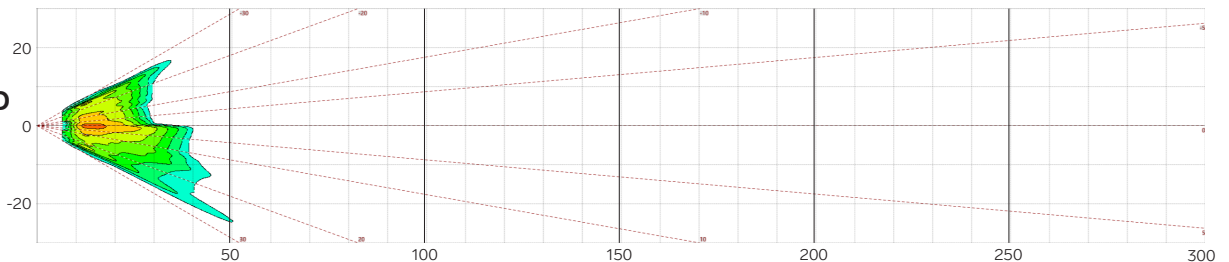


DLM-F1 Bi-LED
High Beam
1,0 m



TYPICAL LIGHT PATTERNS - 2M (RIGHT HAND TRAFFIC)

DLM-F1 Bi-LED
Low Beam
2,0 m



DLM-F1 Bi-LED
High Beam
2,0 m

